



tigerlight®

HIGH-PERFORMANCE
INDUSTRIAL LIGHTING

STRIKER
HIGH PERFORMANCE
SPORTS LIGHTS

STRIKER
High-performance sports lighting





HIGH PERFORMANCE MODULAR SYSTEM FOR SPORTS FIELDS

Striker sports lighting is energy efficient and reliable, and is in use in a variety of sports settings, from team sport stadiums to greyhound racing tracks.

The modular platform is fully customisable, allowing a wide variety of options so that our lighting engineers can create the most appropriate solution for the installation.

When meeting required lux levels for competition and for broadcasting, a key design objective is compliance with Australian Standard AS4282 Obtrusive Lighting.

All Striker models utilise high performance ceramic-based LED chips and open modules, designed for superior heat management under load.

Remote drivers are standard, in order to reduce weight and future maintenance.



FULL RANGE OF OPTIONS

LCP from 640W to 1920W

Lumens - from 83000 lm to 252000 lm

Voltages - 240VAC, 415 VAC

Lighting controls / Dimming

Optical lenses - 16 options including anti-backspill

CCT - 4 options: 3000, 4000K, 5000, 5700K

CRI - 3 options: >70, >80, >90

Mounting brackets

Powdercoating colours




U Type Mounting



J Type Mounting



PERFORMANCE SUMMARY

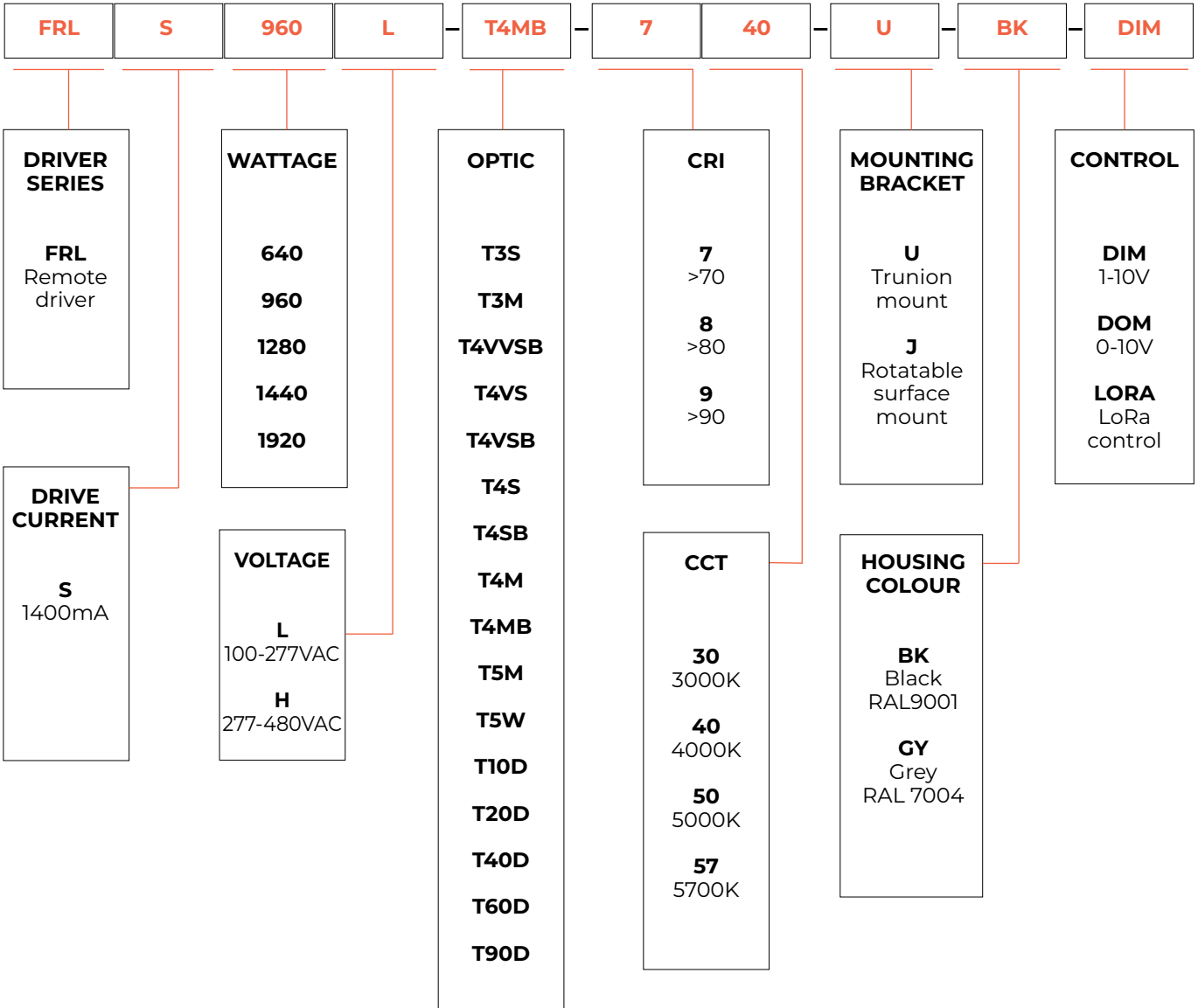
Voltages	100-277VAC, 277-480VAC 50/60HZ
Power options	640, 960, 1280, 1440, 1920W
Lumen output	From 83000 lm to 252000 lm
LED chipset	Nichia NVSW519A
Driver type	Remote driver, 1400mA LED drive current
Driver model	Inventronics - SUM/SSM Series
Operating Temperatures	-40 to +50deg C
Efficacy	130 - 165 lm/w
Initial Chromaticity	MacAdam 5
CCT	5000K standard, 3000K, 4000K, 5700K
CRI	Ra>70 (Standard) Ra>80 , Ra>90
Optical lenses	Anti-backspill lenses: T4VVSb, T4VSB, T4SB, T4MB 7 symmetric: T5M, T5W, T10D, T20D, T40D, T60D, T90D
IK Rating	IK10
IP Rating	IP66
Power factor	>0.95 at full load
Surge Protection	Imax 20KA
L70B10 / L90B10	>60,000hrs / 38,000hrs
Control Options	0-10V, 1-10V, LoRa control
Mounting brackets	Trunion (U) or rotatable (J)
Housing	Die Cast Aluminium
Surface Treatment	Polyester Powdercoat min 100µm thickness
Junction box cable entry	M20 gland
Cabling	1.5mm ² cable - max distance between light head and driver is 200m with 1.5mm ² cable
Certification	SAA, CE, CB 
Warranty	5 years



Scan the QR code for a video animation on bracket usage and assembly



MODEL NUMBER SYSTEM

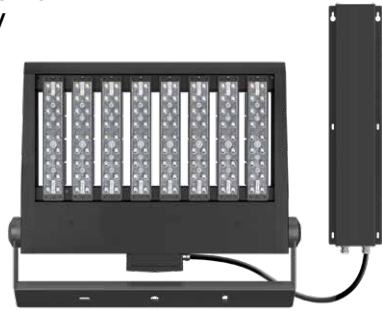


The example shown above is written as: **FRLS960L-T4MB-740-U-BK-DIM**

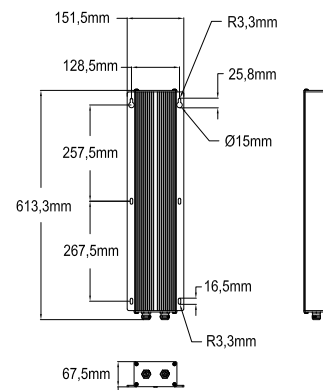
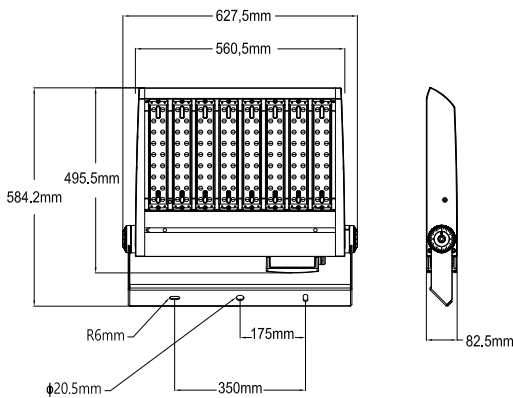




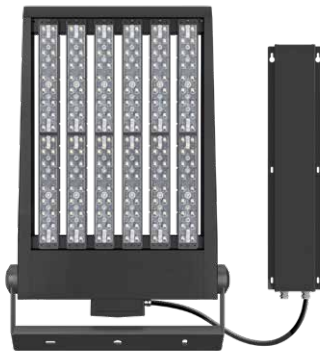
FRLS640 640W



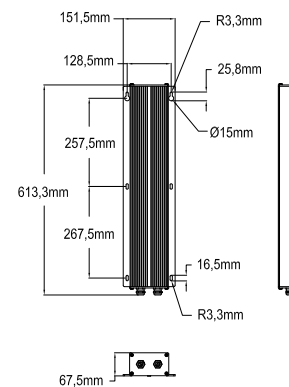
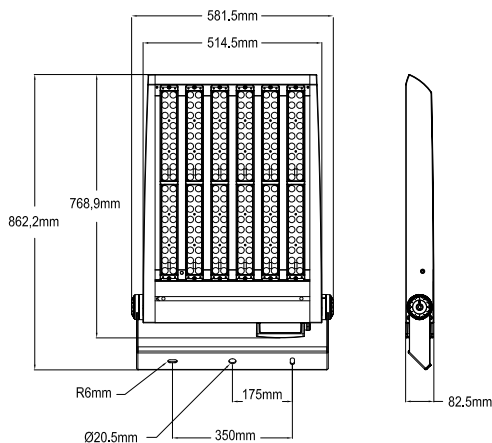
Model	FRLS640
LCP	640W
Lumens	83000 lm
LED modules	8x80W
Drivers	1x1kW
Current draw	2.66A at 240V, 1.73A at 415V
Drive current	1400mA
Cabling	Interconnecting cable: 2C+E
Weight	Light (inc U bracket): 11.4kg. Driver 5.9kg
Dimensions	Light 584Lx628Wx82mmH Driver 613Lx152Wx68mmH



FRLS960 960W



Model	FRLS960
LCP	960W
Lumens	125000 lm
LED modules	6x2x80W
Drivers	1 x 1kW
Current draw	4A at 240V, 2.31A at 415V
Drive current	1400mA
Cabling	Interconnecting cable: 2C+E
Weight	Light (inc U bracket): 12.1kg. Driver 5.9kg
Dimensions	Light 862Lx582Wx82mmH Driver 613Lx152Wx68mmH

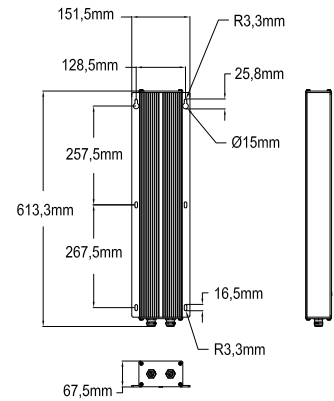
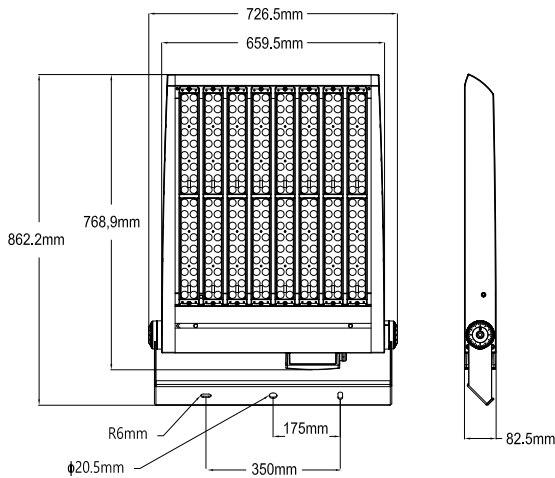




FRLS1280 1280W



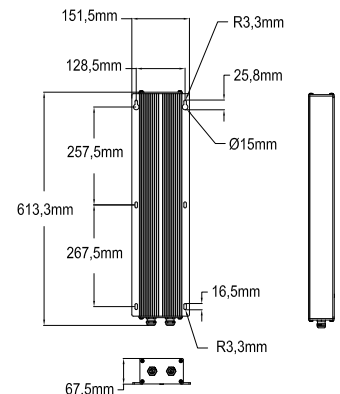
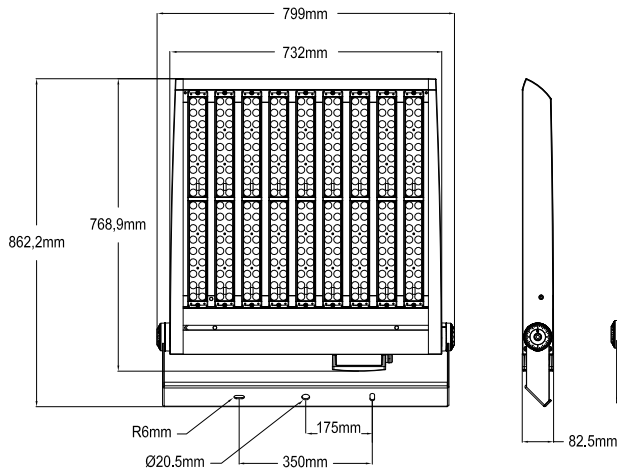
Model	FRLS1280
LCP	1280W
Lumens	166000 lm
LED modules	8x2x80W
Drivers	1x1.5kW
Current draw	5.33A at 240V, 3.08A at 415V
Drive current	1400mA
Cabling	Interconnecting cable: 2C+E
Weight	Light (inc U bracket): 17.3kg. Driver 6.7kg
Dimensions	Light 862Lx726Wx82mmH Driver 613Lx152Wx68mmH



FRLS1440 1440W



Model	FRLS1440
LCP	1440W
Lumens	187000 lm
LED modules	9x2x80W
Drivers	1x1.5kW
Current draw	6A at 240V, 3.47A at 415V
Drive current	1400mA
Cabling	Interconnecting cable: 2C+E
Weight	Light (inc U bracket): 20.1kg. Driver 6.7kg
Dimensions	Light 862Lx799Wx82mmH Driver 613Lx152Wx68mmH

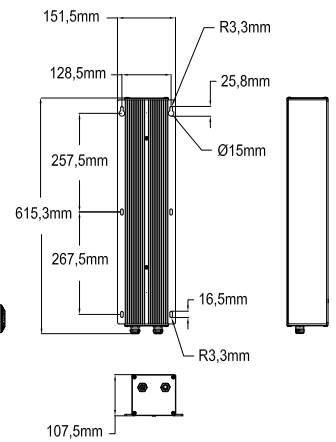
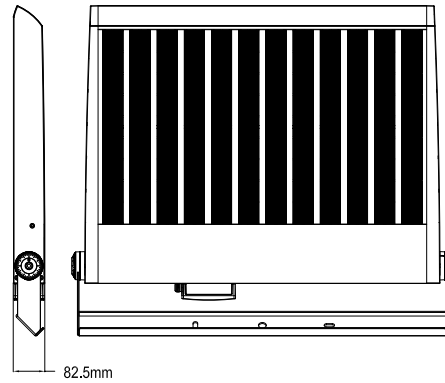
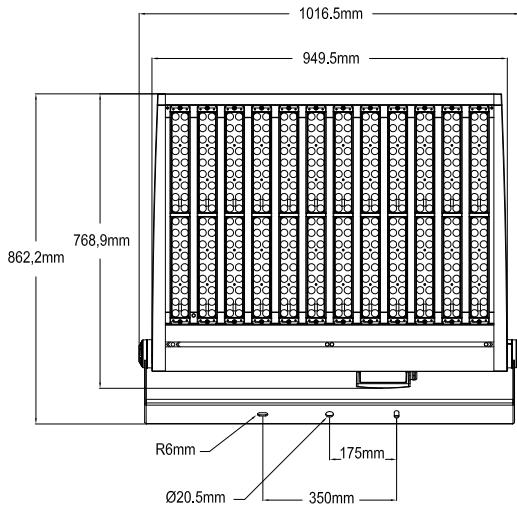




FRLS1920
1920W



Model	FRLS1920
LCP	1920W
Lumens	252000 lm
LED modules	12x2x80W
Drivers	2x2kW
Current draw	8A at 240V, 4.62A at 415V
Drive current	1400mA
Cabling	Interconnecting cable: 4C+E
Weight	Light (inc U bracket) 25.5kg. Driver 9.5kg
Dimensions	Light 862Lx1016Wx82mmH Driver 615Lx152Wx108mmH



Northam Hockey,
Northam WA





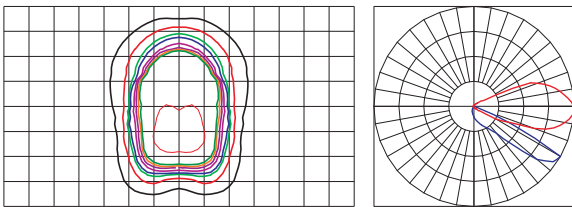
PHOTOMETRICS

Striker floodlights feature state-of-the-art Back-light Control lenses to reduce backward light spill and to comply with AS4282 Obtrusive Lighting Standard.

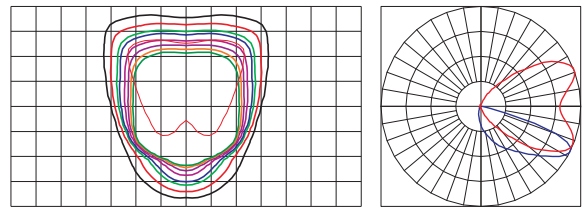
The patented technology has shaped the optical lenses so that almost all light is projected forwards, and therefore back-light spill is minimised. Apart from the environmental benefits, this allows more light to penetrate further onto the playing surface, increasing both lux levels and uniformity.

The photometric profiles of the 4 most popular lenses with Backlight control are shown below.

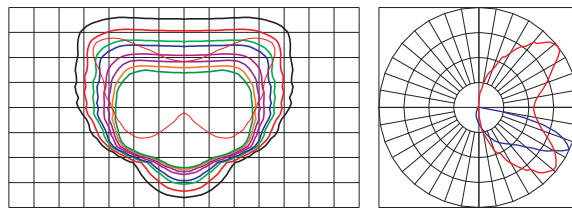
Optical distributions of the 4 most important Back-Light Control lenses



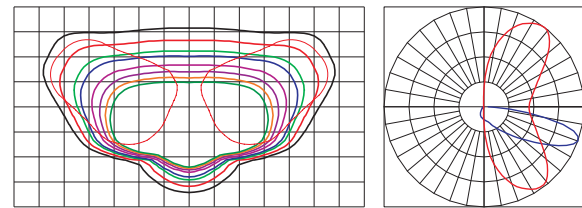
T4VVS Type IV Very Very Short



T4VSB Type IV Very Short

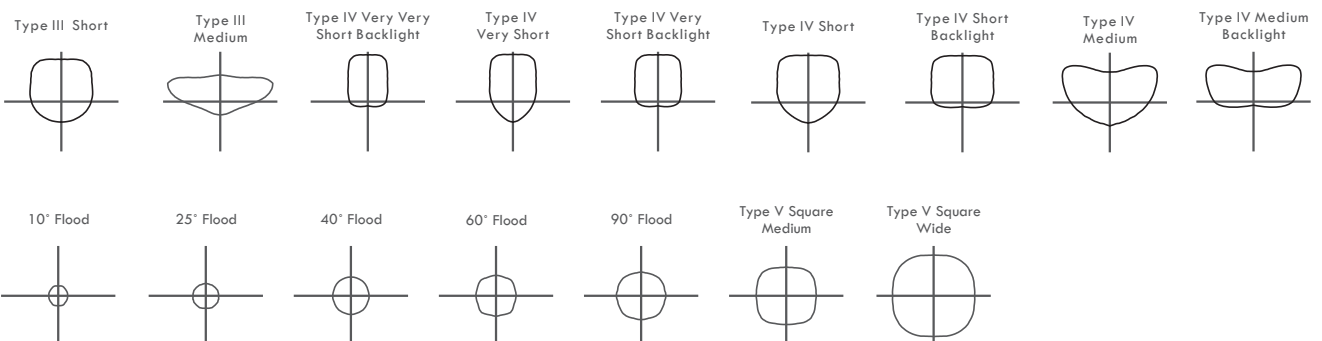


T4SB Type IV Short



T4MB Type IV Medium

Lenses available - Asymmetric (with or without Backlight control) and Symmetric lenses





TYPICAL INSTALLATIONS



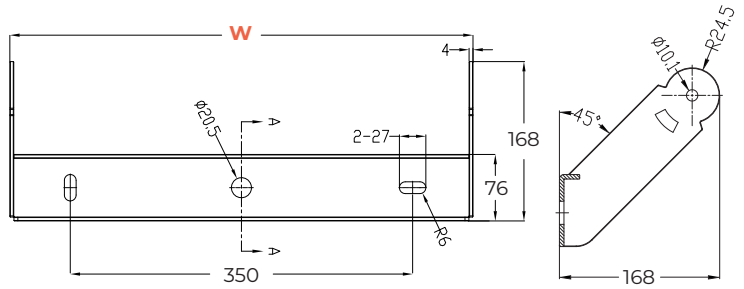
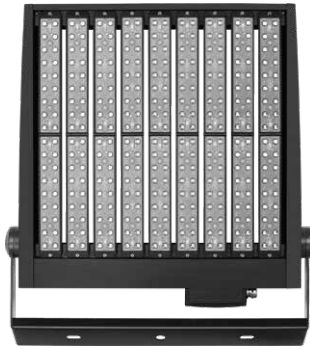
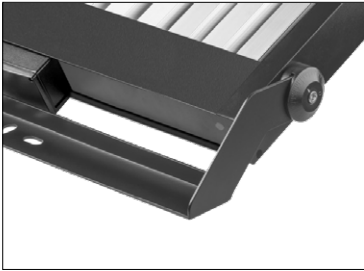
Clockwise from top:
Horsham Greyhound Racing Club, Horsham Vic
Grafton Netball Courts, Grafton NSW
Gold Coast Albert Tennis, Burleigh Waters Qld
Solar Mad Stadium, Griffith NSW



MOUNTING BRACKETS

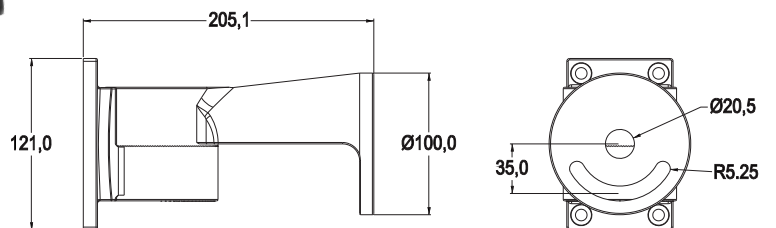
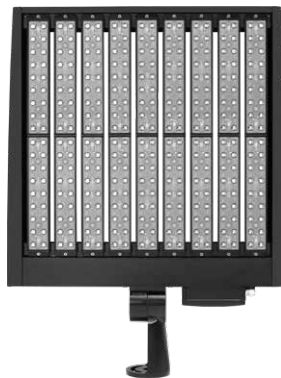
U-BRACKET

Trunion mounts for walls/poles.



J-BRACKET

Adjustable elbow joint for small footprint flat mounts





LUMINAIRE EPA

U Type Adjustable Arm Mount

	0° Tilt	10° Tilt	20° Tilt	30° Tilt	45° Tilt	60° Tilt	70° Tilt	80° Tilt	90° Tilt
FLS640	0.72	0.99	1.26	1.52	1.79	2.06	2.33	2.59	2.86
FLS960	0.83	1.16	1.48	1.81	2.13	2.46	2.78	3.11	3.34
FLS1280	0.93	1.42	1.91	2.40	2.89	3.38	3.87	4.36	4.85
FLS1440	0.96	1.44	1.96	2.46	2.97	3.47	3.97	4.47	4.97
FLS1920	1.04	1.69	2.35	3.00	3.66	4.31	4.96	5.62	6.27



Shoalhaven Bowling Club, Shoalhaven Heads NSW





tigerlight[®]

T 1300 184 437
F 02 9913 8876
E info@tigerlight.com.au

**National Support &
Distribution Centre**
Unit 8, 1 Vuko Place,
Warriewood, NSW 2102

**Western Australia
Office & Warehouse**
Unit 3, 1 Distinction Road,
Wangara, WA 6065

tigerlight.com.au

 [Tigerlight Pty Ltd](#)

 [TigerlightLED](#)

All documentation is subject to change without notice. © 20250722

