



tigerlight®

HIGH-PERFORMANCE
INDUSTRIAL LIGHTING

LED HIGHBAY LIGHT

260W 40000 LUMENS

350W 55000 LUMENS



primol



SUPER-HIGH OUTPUT INDUSTRIAL HIGHBAY

Exceptional output at 160 lm/W efficacy

40K Highbay: 40000 lm - 260W. 55K Highbay: 55000 lm - 350W.

60 degree beam angle to suit high mounting positions

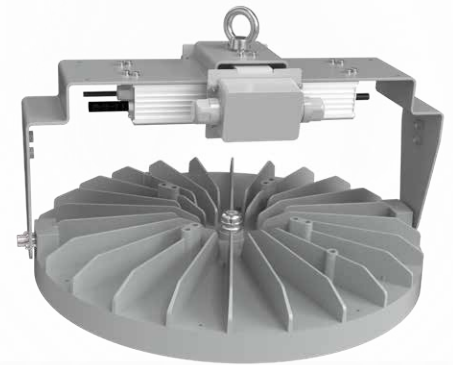
CCT 4000K. CRI >80

Superb design and quality control

Inventronics EUM dimmable driver

Dimmable output to 10% with light and occupancy sensors

Rated IP66, IK10 and for operating temps of -30 to +50°C.



Toughened glass
60 degree optical lens

APPLICATIONS

For very high lux levels and/or higher ceilings.

Commercial & industrial lighting, including heavy industry, manufacturing, hydro plants and mining.

Large scale aviation hangars and shipbuilding.

Hot, cold, damp and dusty environments.

PRODUCT CODES

Primo 40K Highbay

260W 40000 lm

HE40K250-840

Primo 55K Highbay

350W 55000 lm


HE55K350-840



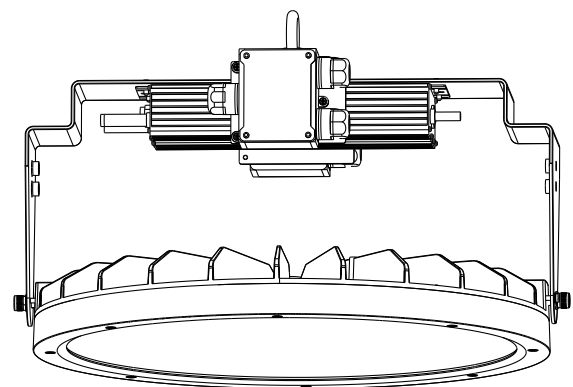
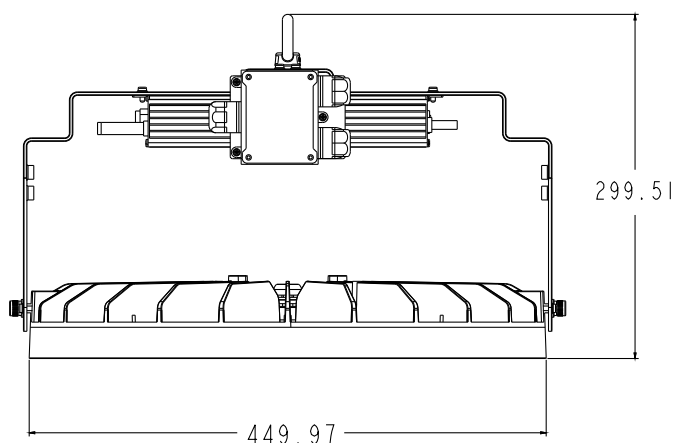
primo



PERFORMANCE OVERVIEW

Product code	HE40K250-840	HE55K350-840
Wattage	260W	350W
Lumen output	40000 lm	55000 lm
Efficacy	160 lm/W	
Voltage / freq	100-277VAC / 50/60Hz	
Power factor	≥0.97	
Driver	Inventronics EUM series, dimmable	
Dimming	0-10VDC	
CCT	4000K	
CRI	>80	
Light distribution	60 degrees optical lens	
SDCM	<5	
IP / IK Rating	IP66 / IK10	
Operating Temp	-30 to +50°C	
Service life	L80B10: 80,000h	
Composition	Toughened glass lens plate Cast aluminium/ aluminium housing, powdered coated grey	
Mounting	Eye bolt to ceiling Ceiling/wall mount bracket available. Part no. HE40K-CMB	
Dimensions	450mm diameter, 300mm height	
Weight	12.5kg	
Flex	3m with AUS plug from driver	
Certification	SAA, RCM 	
Warranty	5 years.	

primo⁺



primo⁺

40K HIGHBAY
260W 40000LM

55K HIGHBAY
350W 55000LM



tigerlight[®]

T 1300 184 437
F 02 9913 8876
E info@tigerlight.com.au

**National Support &
Distribution Centre**
Unit 8, 1 Vuko Place,
Warriewood, NSW 2102

**Western Australia
Office & Warehouse**
Unit 3, 1 Distinction Road,
Wangara, WA 6065

tigerlight.com.au

 Tigerlight Pty Ltd

 TigerlightLED

All documentation is subject to change without notice. © 20260213

 Australia-wide
Australian-owned