

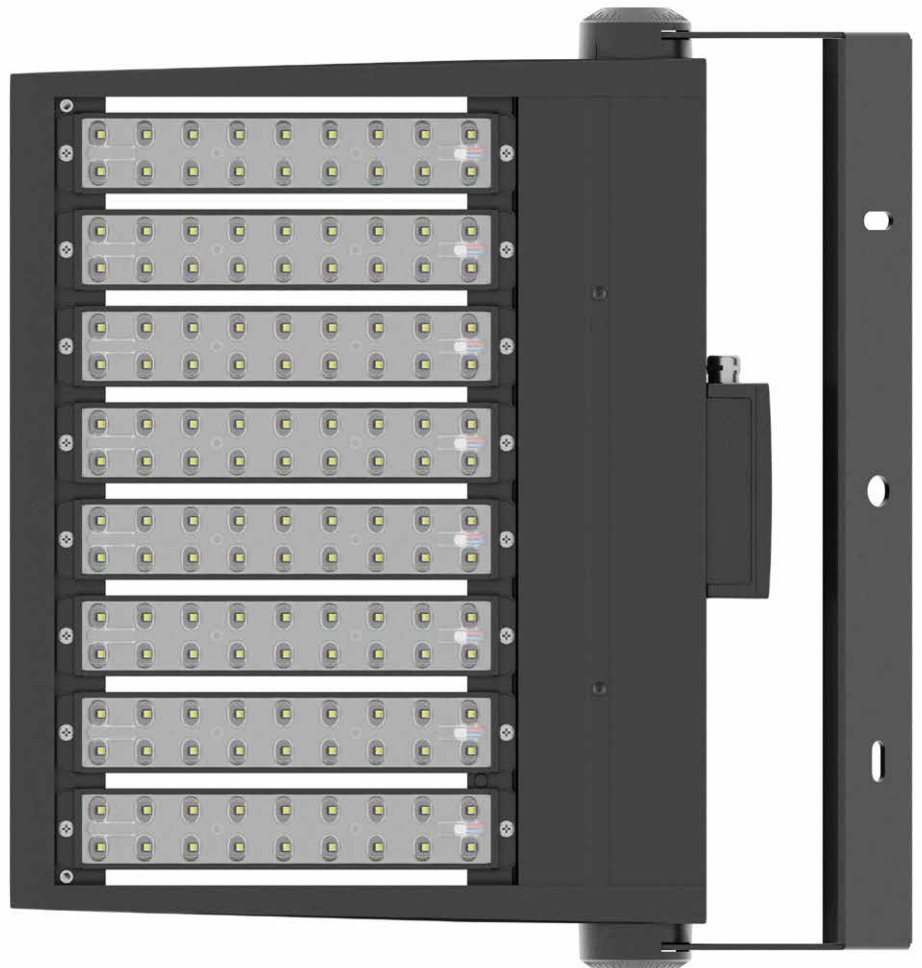


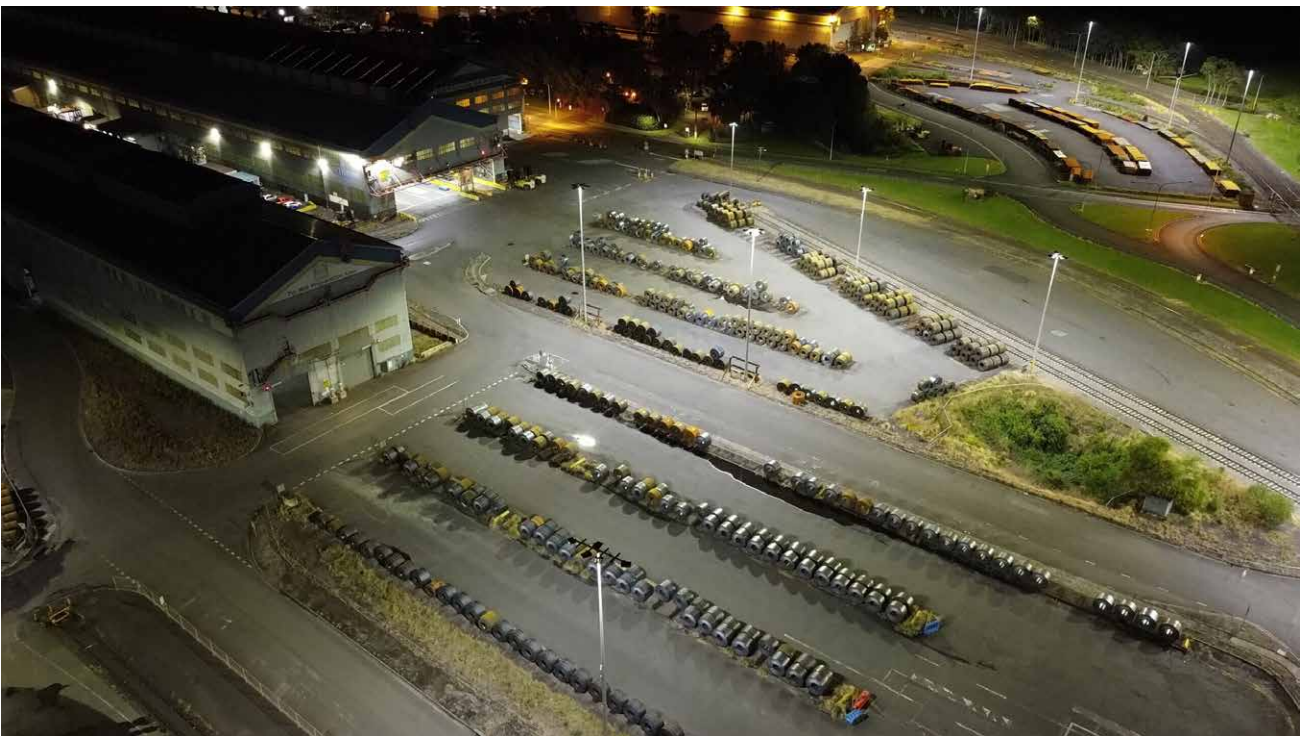
tigerlight®

HIGH-PERFORMANCE  
INDUSTRIAL LIGHTING

MEGAFLOOD SERIES  
AREA LIGHTS 40W - 1200W

**MEGA**  
FLOOD







## MODULAR DESIGN FOR SUPREME VERSATILITY

The MegaFlood range by Tigerlight is the most versatile lighting platform on the Australian market.

The modular platform enables an almost limitless array of options, which can be tailor-made to suit any particular application, anywhere, including: hardstands, ports, sporting precincts, mining, rail and carparks, as well as indoor applications.

## OPTIONS

Output from 40W to 1200W

Voltage - 240VAC / 415 VAC / DC

Drivers - built-in or remote drivers

Lighting controls / Dimming

Optical lenses - 19 options including back-light control lenses

CCT - 5 options from Amber to 5000K

CRI - 3 options, from Ra >70 to >90

Mounting brackets - 4 options

Powdercoating colour options

# MEGA



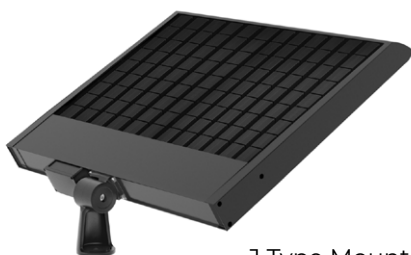
U Type Mounting



L Type Mounting



T Type Mounting



J Type Mounting

Optional External Driver





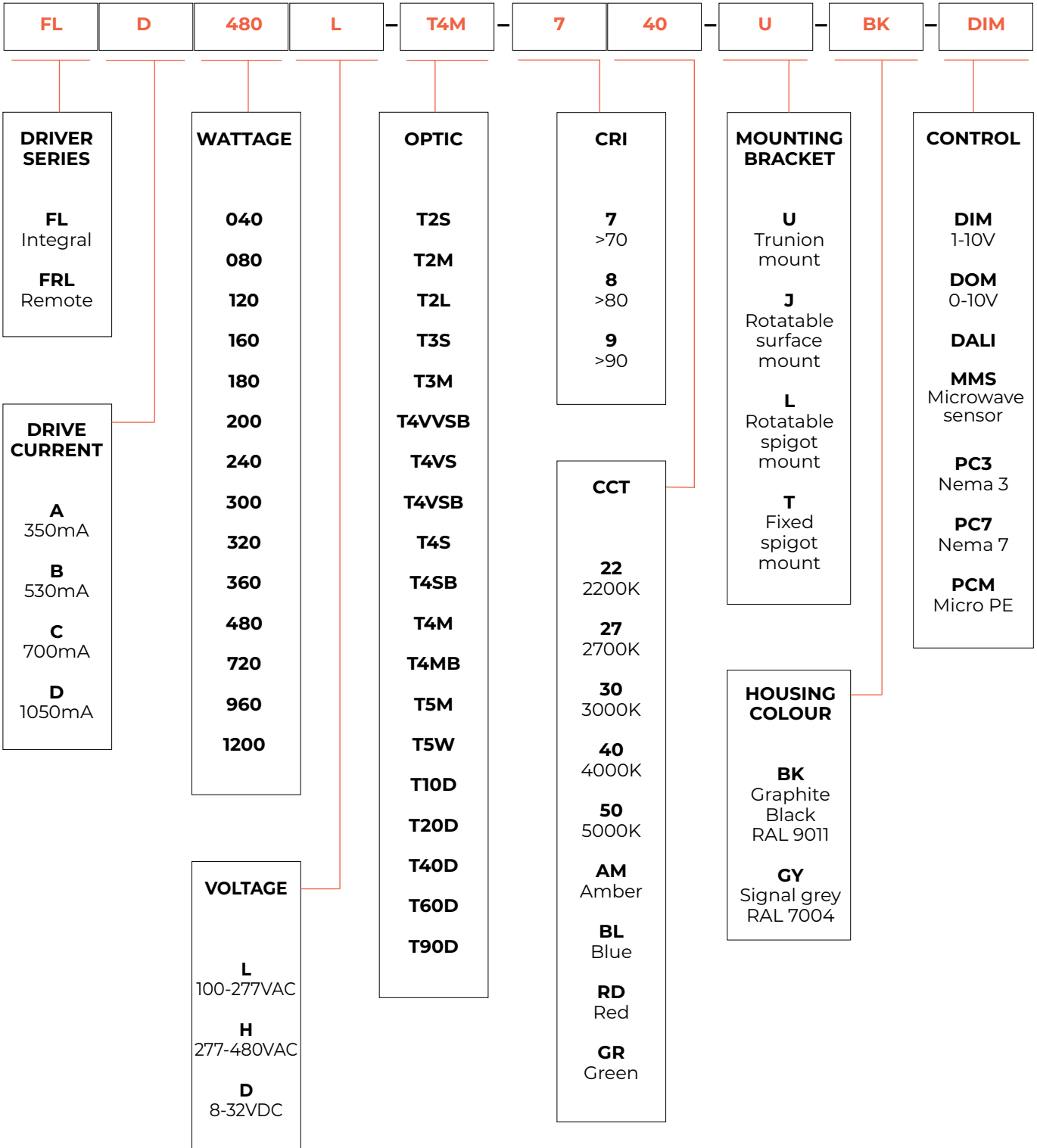
---

## PERFORMANCE SUMMARY

Voltages	100-277VAC, 277-480VAC 50/60HZ. DC options
Power options	40W – 1200W
Drivers	Inventronics (EUM, SUM, ESM, SSM series)
Operating Temperatures	-40 to +50deg C
Efficacy	120 – 165lm/w
SDCM	MacAdam 5 (standard)
CCT	4000k (standard), 2200k, 2700, 3000k, 5000k
CRI options	Ra>70 (standard), Ra>80 , Ra>90
IK Rating	IK10
IP Rating	IP66
Power factor	>0.95 at full load
Surge Protection	I <sub>max</sub> 20KA
L70B10 / L90B10	>200,000hrs. / >60,000hrs
Control Options	1-10V, 0-10VDC, DALI, NEMA 3 / 7, Motion Sensor
Housing	Die Cast Aluminium
Surface Treatment	Polyester Powdercoat min 100µm thickness
Housing colour	Black RAL 9011, Grey RAL 7004, custom on request
Junction box cable entry	40-360W - M20 gland (8-12mm cable diameter) 480-1200W - M25 gland (14-18mm cable diameter)
Certification	SAA, CE, CB
Warranty	5 years



# MODEL NUMBER SYSTEM



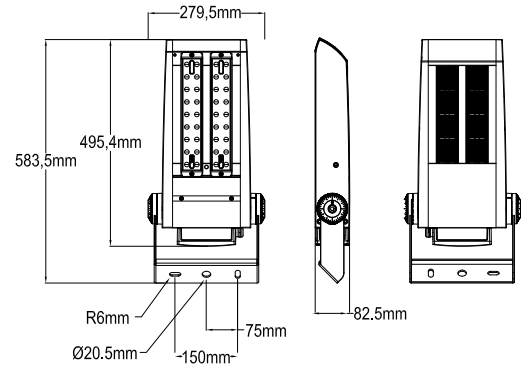
The example shown above is written as: FLD480L-T4M-740-U-BK-DIM



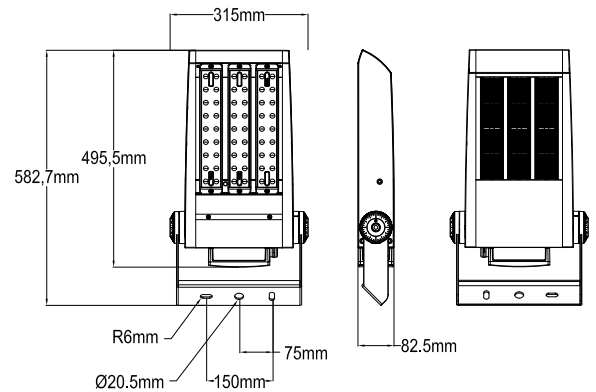
## INTEGRATED DRIVER MODELS



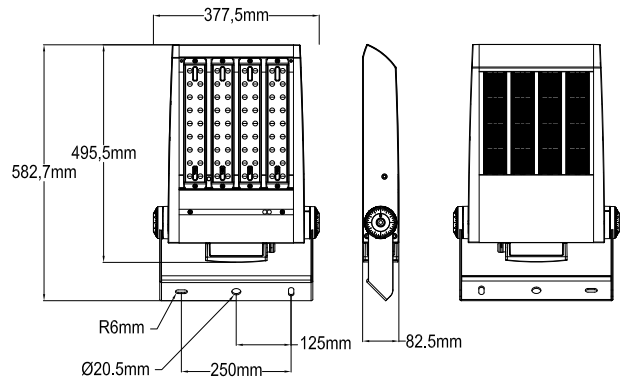
Model	FLA040	FLC080	FLD120
Typ lumens	6200	11050	14900
Current draw, A @240VAC	0.16	0.32	0.48
LCP, W	38	77	115
Modules	2	2	2
Weight, kg	6.0	6.0	6.1
Dimensions	583x278x82mm		



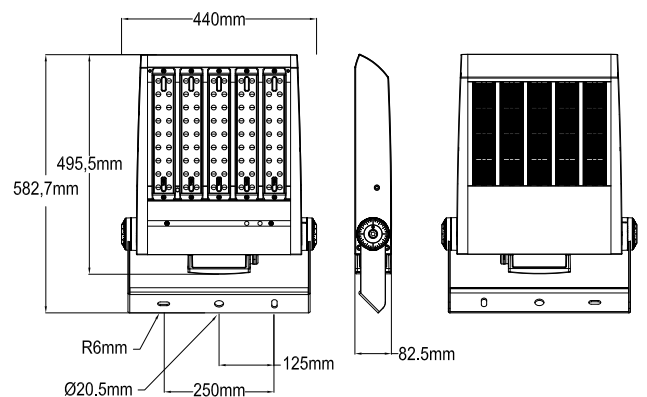
Model	FLC120	FLD180
Typ lumens	16600	22600
Current draw, A @240VAC	0.48	0.73
LCP, W	116	176
Modules	3	3
Weight, kg	6.9	7.1
Dimensions	583x315x82mm	



Model	FLC160	FLD240
Typ lumens	22145	32843
Current draw, A @240VAC	0.63	0.93
LCP, W	152	223
Modules	4	4
Weight, kg	7.9	8.1
Dimensions	583x378x82mm	

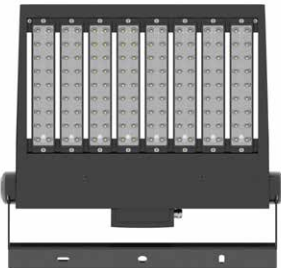
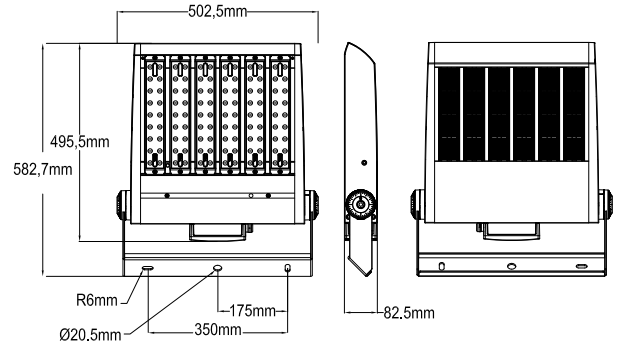


Model	FLC200	FLD300
Typ lumens	27500	37050
Current draw, A @240VAC	0.77	1.20
LCP, W	152	287
Modules	5	5
Weight, kg	8.9	9.6
Dimensions	583x440x82mm	

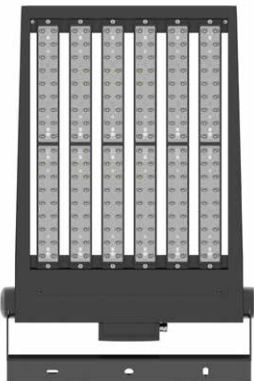
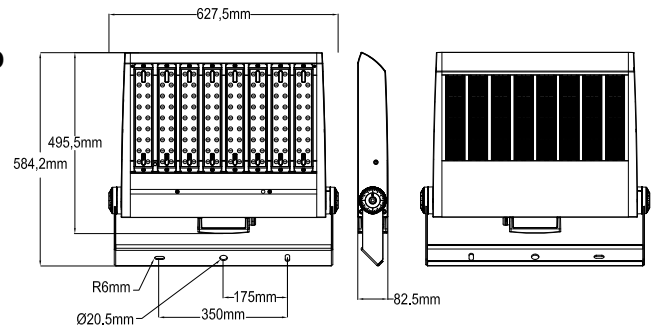




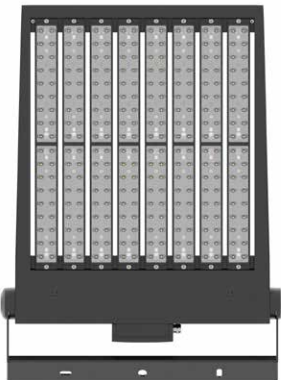
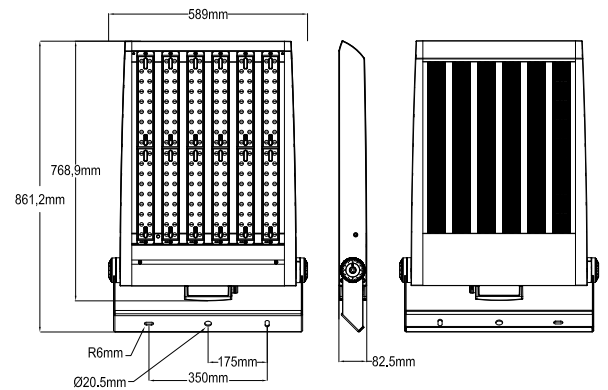
Model	FLC240	FLD360
Typ lumens	32843	44050
Current draw, A @240VAC	0.93	1.43
LCP, W	223	342
Modules	6	6
Weight, kg	10.2	10.9
Dimensions	583x502x82mm	



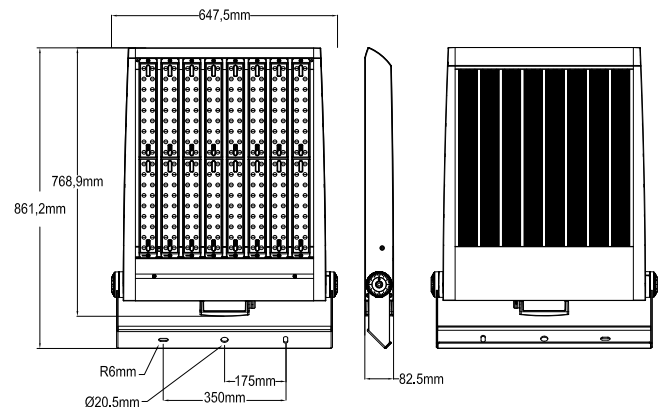
Model	FLC320	FLD480
Typ lumens	44170	60050
Current draw, A @240VAC	1.26	1.91
LCP, W	302	458
Modules	8	8
Weight, kg	12.7	13.0
Dimensions	584x628x82mm	



Model	FLD720
Typ lumens	89000
Current draw, A @240VAC	2.87
LCP, W	689
Modules	12
Weight, kg	17.4
Dimensions	861x589x82mm

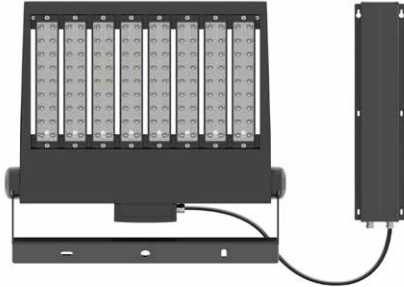


Model	FLD960
Typ lumens	118000
Current draw, A @240VAC	3.82
LCP, W	916
Modules	16
Weight, kg	19.9
Dimensions	861x648x82mm

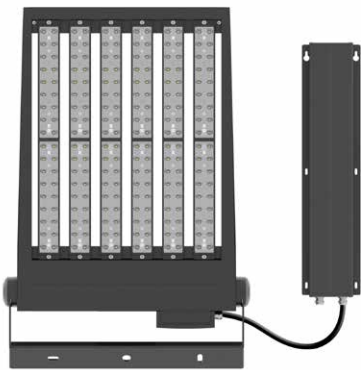
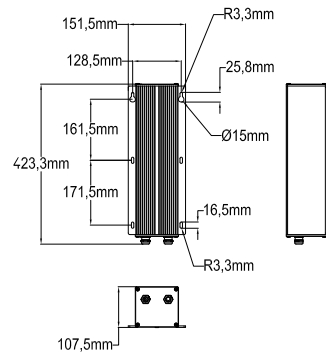
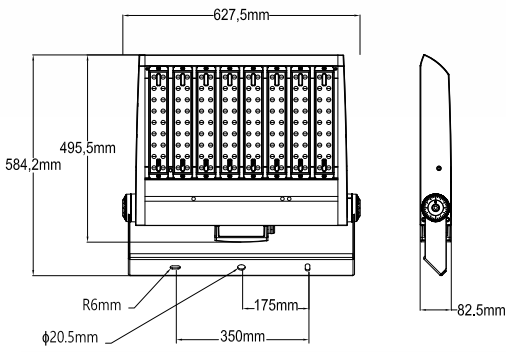




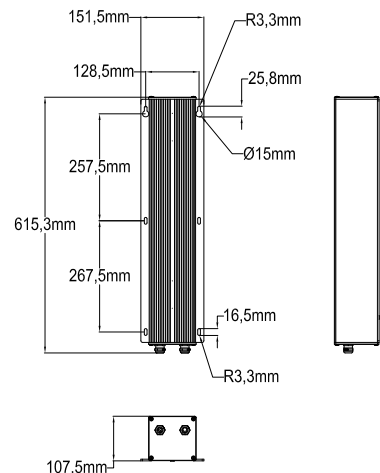
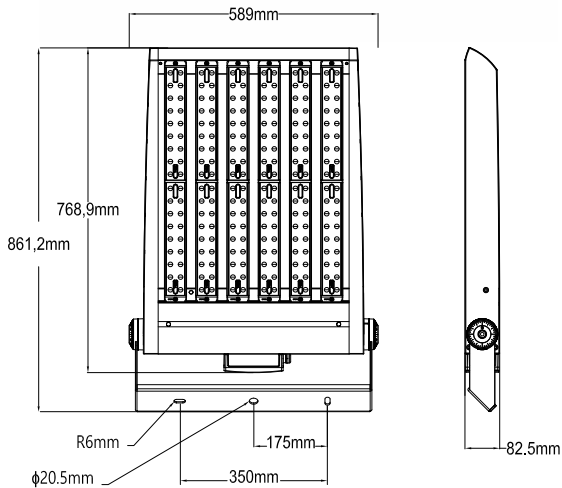
## REMOTE DRIVER MODELS



<b>Model</b>	<b>FRLD480</b>
Typ lumens	60050
Current draw, A @240VAC	1.91
LCP, W	458
Modules	8
Dimensions	584x627x82mm. Weight 10.4kg
Driver dimensions	423x152x167mm. Weight 4.5kg.

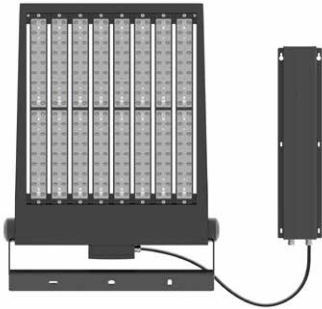


<b>Model</b>	<b>FRLD720</b>
Typ lumens	89000
Current draw, A @240VAC	2.87
LCP, W	689
Modules	12
Dimensions	861x589x82mm. Weight 14.6kg
Driver dimensions	615x152x108mm. Weight 6.1kg.

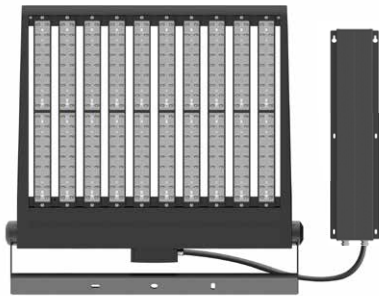
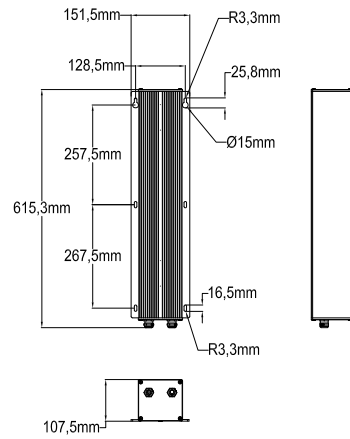
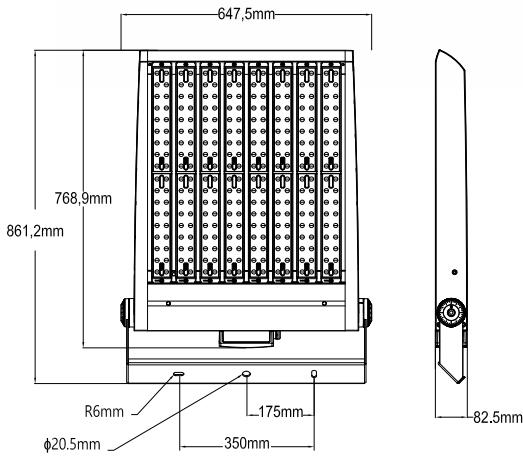




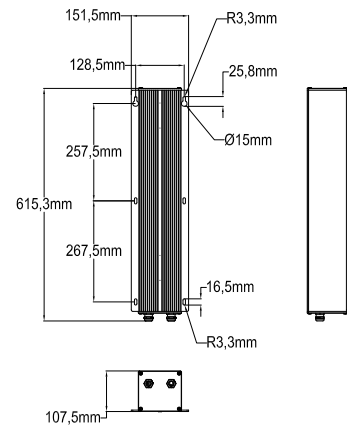
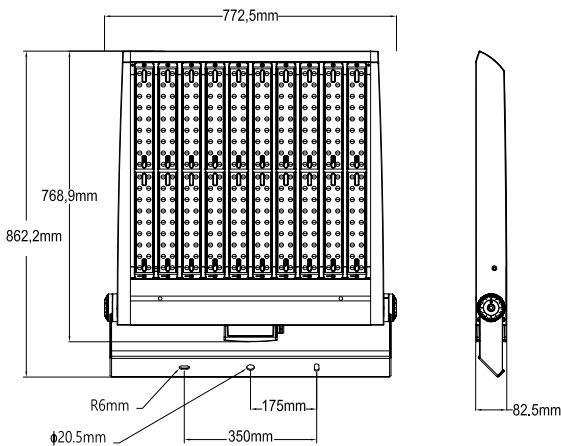
## REMOTE DRIVER MODELS

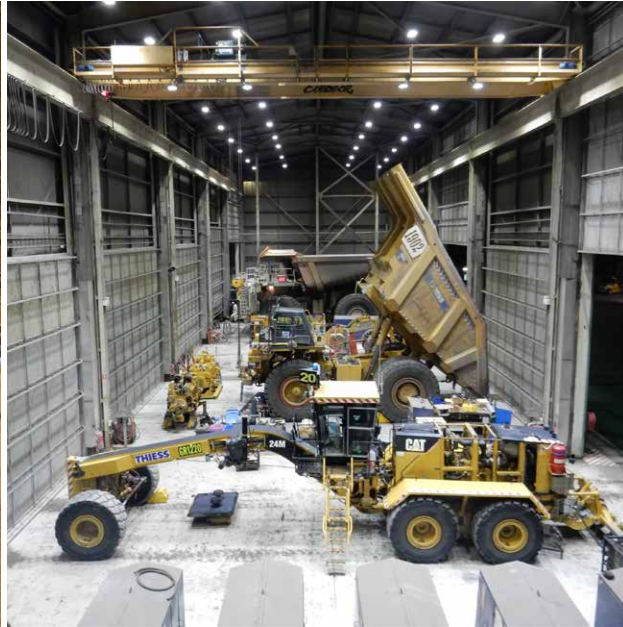


<b>Model</b>	<b>FRLD960</b>
Typ lumens	118000
Current draw, A @240VAC	3.82
LCP, W	916
Modules	16
Dimensions	861x648x82mm. Weight 17.4kg
Driver dimensions	615x152x108mm. Weight 6.1kg



<b>Model</b>	<b>FRLD1200</b>
Typ lumens	175100
Current draw, A @240VAC	4.77
LCP, W	1144
Modules	20
Dimensions	862x772x82mm. Weight 20.5kg
Driver dimensions	615x152x108mm. Weight 7.1kg.



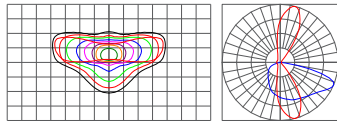




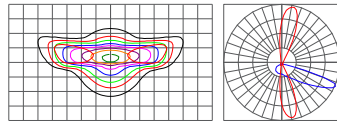
## PHOTOMETRICS

Optical lensing options include 7 Symmetric and 12 Asymmetric lenses including back-light control options, to enable compliance with Australian Standard AS4282 Obtrusive Lighting.

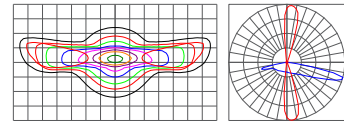
ASYMMETRIC



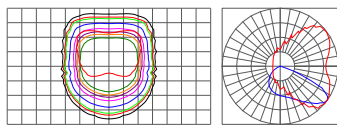
T2S Type II Short



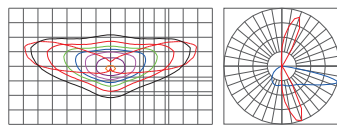
T2M Type II Medium



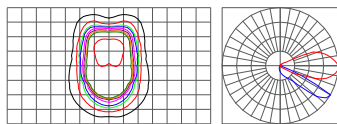
T2L Type II Long



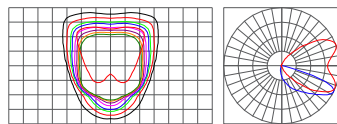
T3S Type III Short



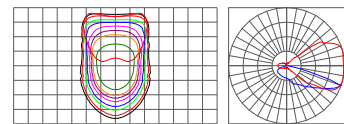
T3M Type III Medium



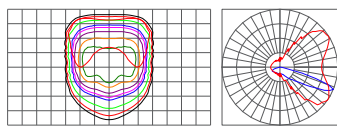
T4VSB Type IV Very Very Short



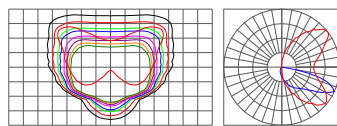
T4VSB Type IV Very Short



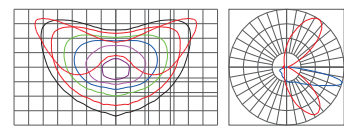
T4VS Type IV Very Short



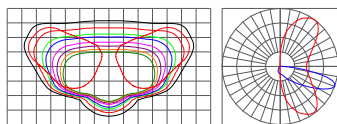
T4S Type IV Short



T4SB Type IV Short

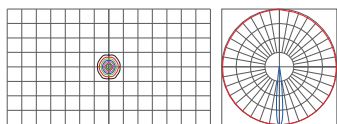


T4M Type IV Medium

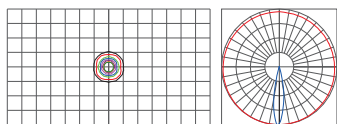


T4MB Type IV Medium

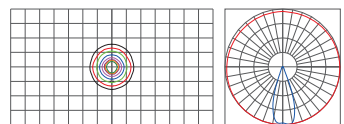
SYMMETRIC



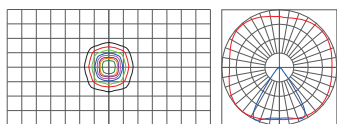
T10D 10° Flood



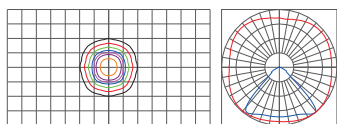
T20D 20° Flood



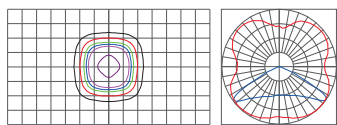
T40D 40° Flood



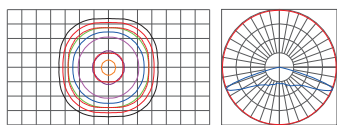
T60D 60° Flood



T90D 90° Flood



T5M Type V Square Medium



T5W Type V Square Wide

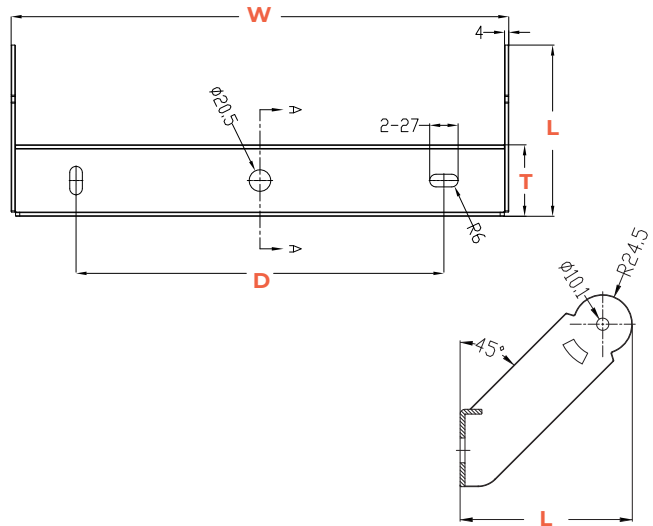
## MOUNTING BRACKETS



Scan the QR code for a video animation on bracket usage and assembly



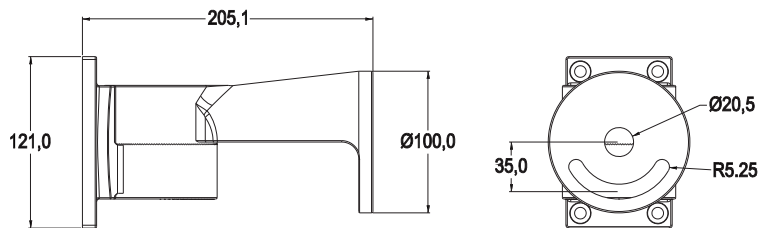
### U Bracket - Trunion mount



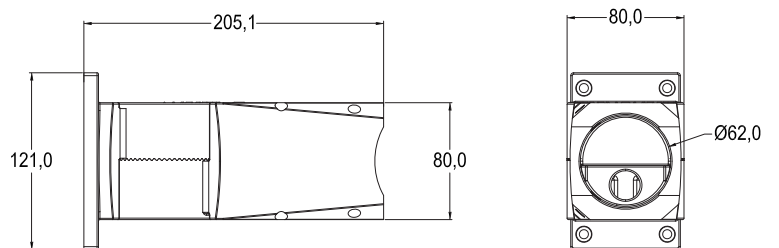
MODEL	W	L	T	D
FLA040 & FLC080	250	159	64	150
FLC120 / FLD180	286	159	64	150
FLC160 & FLD240	348	159	64	250
FLC200 / FLD300	411	159	64	250
FLC240 & FLD360	473	163	68	350
FLC320 & FLD480	598	163	68	350
FLD720	560	168	76	350
FLD960	618	168	76	350

Refer pages 6&7 for individual bracket line drawings for each model.

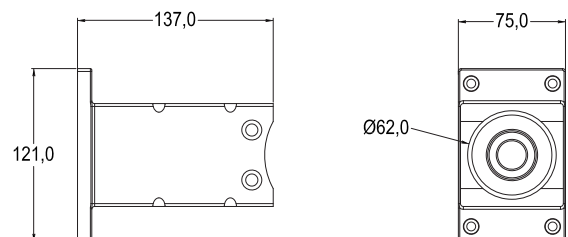
### J Bracket - Rotatable surface mount



### L Bracket - Rotatable spigot mount



### T Bracket - Fixed spigot mount





## SIMPLIFIED INSTALLATION



2.5 degree graduations on U-Bracket (trunion mount) for precision in setting tilt angles.



Terminal block showing simple DC wiring for dimming via Wago connectors.



Optional through-wiring via junction box to daisy chain the luminaires.

## HOUSING COLOUR OPTIONS



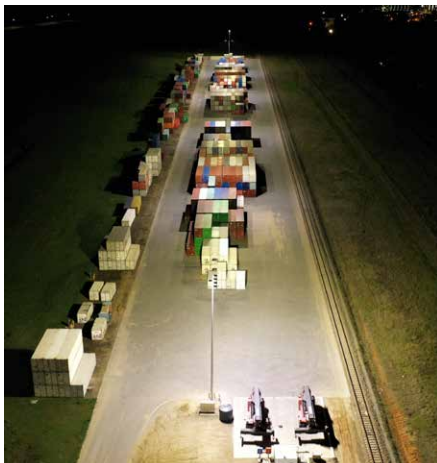
RAL 9011 Graphite Black

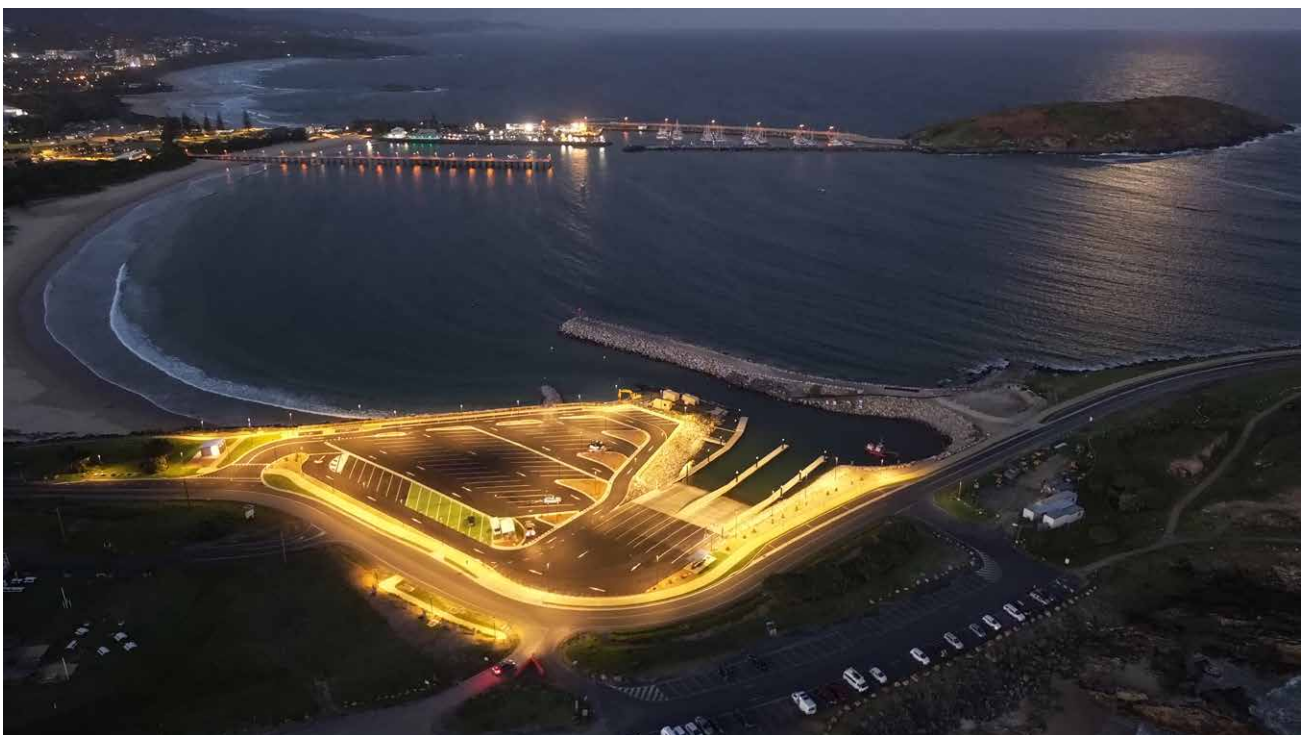


RAL 7004 Signal Grey



White and other RAL colours available on request





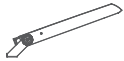
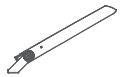





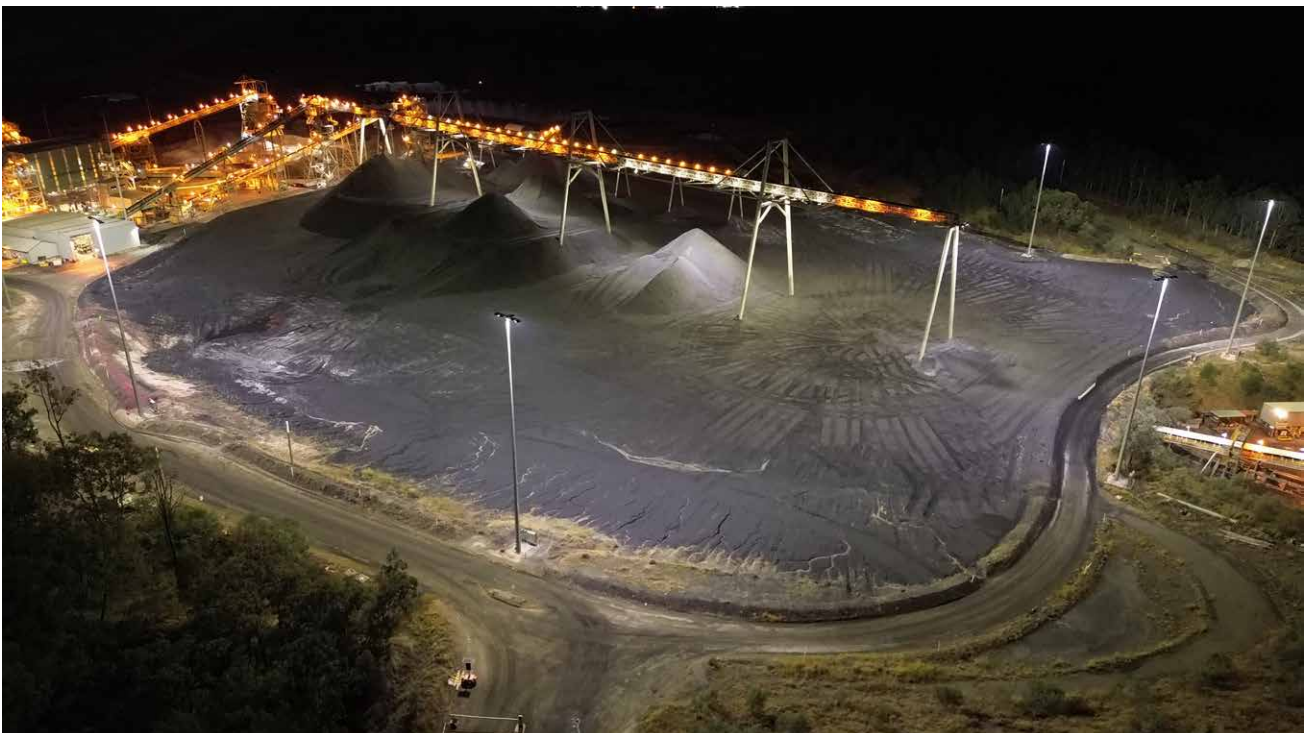
## LUMINAIRE EPA



FLA040 / FLC080 / FLD120  
FLC120 / FLD180  
FLC160 / FLD240  
FLC200 / FLD300  
FLC240 / FLD360  
FLC320 / FLD480  
FLD720  
FLD960  
FRLD1200

	0° TILT	10° TILT	20° TILT	30° TILT	45° TILT
					
	0.051	0.058	0.066	0.073	0.082
	0.052	0.061	0.070	0.078	0.087
	0.054	0.066	0.077	0.089	0.101
	0.059	0.074	0.089	0.104	0.119
	0.060	0.079	0.097	0.115	0.134
	0.067	0.092	0.117	0.141	0.166
	0.084	0.119	0.153	0.189	0.223
	0.089	0.136	0.182	0.229	0.276
	0.093	0.154	0.210	0.268	0.330

EPA measurements shown for U bracket, in m<sup>2</sup>.



# MEGA FLOOD



**tigerlight**<sup>®</sup>

T 1300 184 437  
F 02 9913 8876  
E [info@tigerlight.com.au](mailto:info@tigerlight.com.au)

**National Support &  
Distribution Centre**  
Unit 8, 1 Vuko Place,  
Warriewood, NSW 2102

**Western Australia  
Office & Warehouse**  
Unit 3, 1 Distinction Road,  
Wangara, WA 6065

[tigerlight.com.au](http://tigerlight.com.au)

 Tigerlight Pty Ltd

 TigerlightLED

All documentation is subject to change without notice. © 20240604

