



tigerlight®

HIGH-PERFORMANCE
INDUSTRIAL LIGHTING

MAKO-X AREA LIGHT
MAKO-X EMERGENCY LIGHT



MAKO-X



ALL THE BENEFITS OF THE MAKO AREA LIGHT, WITH A SUPER-PROTECTIVE HOUSING FOR THE TOUGHEST ENVIRONMENTS

For mounting heights as low as 2.4m for gantries and conveyors to 6-8m for lighting perimeters, roadways and broader areas.

Quality high output Nichia chipset and Inventronics driver.

50W output standard, decreasing to 40W or 30W via internal switch


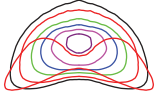
Designed and constructed for robust industrial and mining environments. Rated IP66, IK10.

- LM6 aluminium housing and double powder-coating for extra corrosion resistance
- LED lenses behind tempered glass for additional resistance to corrosion
- Rounded top prevents build up of corrosive material on the luminaire
- 4m of orange 2.5mm² cable supplied as standard for ease of installation.



MAKO-X

OPTIONS

Wattage	- Nominal, via internal switch	30W 3,600 lm	40W 4,800 lm	50W 6,100 lm
Sensor	- Microwave motion sensor			
Emergency	- Built-in Maintained Emergency pack - 3 hour run-time at 5W emergency output - 630 lm			T2M lenses option 
CCT options	- 2200K, 3000K, 4000K, 5000K, Amber (turtle friendly), - Green (Emergency eyewash station)			T4M lenses option 
Optical lenses	- T2M and T4M lenses are standard. Other options: Symmetric: T5M, T5W. Asymmetric: T2M, T3M, T4S, T4M			
Housing	- Grey RAL7004 (Standard), Black RAL9011. Orange fascia (emergency)			



MAKO-X STANDARD SPECIFICATION

Power consumption	50W standard; 40W, 30W, nominal, via internal switch
Input voltage options	100-277VAC (12VDC option also available)
LED chip drive current	30W - 530mA, 40W - 700mA, 50W - 875mA
Power factor	≥0.95 at full load
Surge protection	I _{max} 10kA
LED chips	Nichia 3535. ~140+ lm/W
Driver / Dimming	Inventronics EUM / Dimmable 1-10VDC
Luminous flux	30W - 3600 lm, 40W - 4800 lm, 50W - 6100 lm
Colour temperature	5000K (options for 2200K, 3000K, 4000K, Green, Amber)
CRI	RA >70
Light distribution	IESNA T2M standard. T3M, T4S, T4M options
IP / IK Rating	IP66 / IK10
Composition - lenses	Toughened glass
Composition - housing	LM6 Aluminium. Polyester coating
Exterior colour	Grey-RAL7004 or black. Orange fascia (Emergency)
Spigot entry dimensions	35mm diameter, 75mm depth
Cable supplied	4m orange 2.5mm ² flex supplied for quick installation
Weight	3.6kg
Dimensions / EPA	363L x 140W x 99mmH / 0.076m ²
Working temperature	-40 to 50 °C
Service life	>50,000 hours
Warranty	5 years.



APPLICATIONS

Sleek design suits general streetlighting tasks at low mounting heights of 4 to 8m

Area lighting around industrial plants, mining camps, outbuildings, storage yards, muster points, access gates, roads & tracks

Task lighting over plant & equipment, conveyors & gantries, typically with 2.4-3m mounting height

Emergency applications, including emergency shower and eyewash stations.



MAKO-X EMERGENCY MODEL SPECIFICATIONS

Emergency Type	Maintained
Wattage	50W
Input Voltage	220-240VAC
Lumen Output	6100 lm
Emergency Output	5W - 630 lm
Emergency Runtime	3 hours
Testing System	Self test via button
Operating Temp	0 – 40°C
IP Rating	IP66
Battery	LiFe PO4
Battery Voltage	6.4V
Battery Capacity	3000mAh
Classification	C0:E125 C90 D12.5
Certification	ASNZ 2293.3
Weight	4.2kg
Dimensions / EPA	363L x200W x 79mmH / 0.076m2
Cable entry diameter	10-14mm
Warranty	3 years.



Status indicator & manual test button
below spigot entry
Battery enclosed in driver compartment

MAKO-X

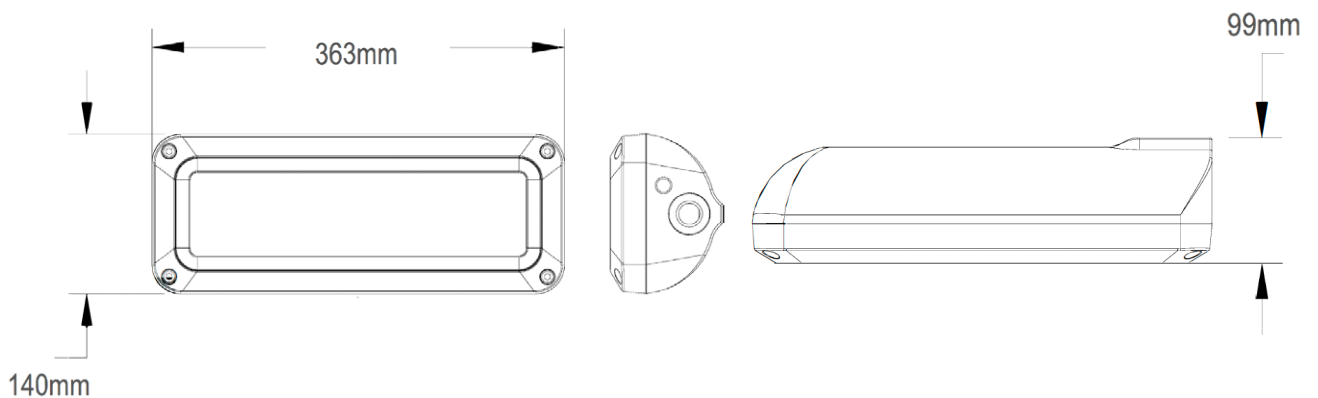


MODEL NUMBER SYSTEM

MXL	C	050	L	T2M	7	40	GY	00
DRIVE CURRENT	WATTAGE	VOLTAGE	OPTIC	CRI	CCT	HOUSING COLOUR	CONTROL	
A 350mA	020	L 240VAC	T2M	7 >70	22 2200K	GY Grey RAL 7004	00 No control	
C Nominal output via switch		D 12-24VDC	T3M	8 >80	30 3000K	BK Black RAL 9011	EM Emergency	
530mA	030		T4M		40 4000K		DIM 1-10V	
700mA	040		T4S		50 5000K		MMS Microwave sensor	
875mA	050		T5M		GN Green 535nm			
			T5W		AM Amber 595nm			

NB: The example shown above is written as:
MXLC050L-T2M-740-GY-00

DIMENSIONS



WALL BRACKET OPTION

Optional 304 stainless steel bracket with short spigot for mounting onto walls.
Part number: MLMAKOBKT



MAKO-X

MAKO-X



tigerlight[®]

T 1300 184 437
F 02 9913 8876
E info@tigerlight.com.au

**National Support &
Distribution Centre**
Unit 8, 1 Vuko Place,
Warriewood, NSW 2102

**Western Australia
Office & Warehouse**
Unit 3, 1 Distinction Road,
Wangara, WA 6065

tigerlight.com.au

 Tigerlight Pty Ltd

 TigerlightLED

All documentation is subject to change without notice. © 20251031



Australia-wide
Australian-owned