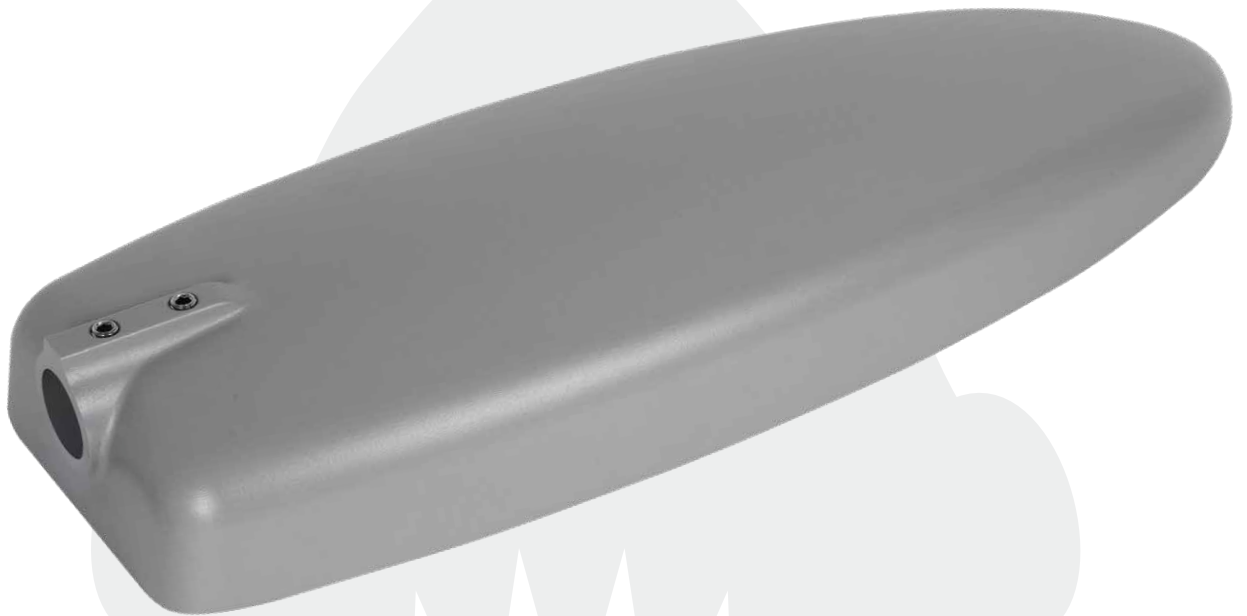




tigerlight®

HIGH-PERFORMANCE  
INDUSTRIAL LIGHTING

MAKO AREA LIGHT  
MAKO EMERGENCY LIGHT



**MAKO**





## FULLY OPTIONED AREA LIGHT WITH MAXIMUM LIGHT SPREAD AT LOW MOUNTING HEIGHTS

Designed for mounting heights as low as 2.4m for gantries and conveyors and upwards to 6m for lighting perimeters, roadways and broader areas  
Quality componentry - high output Nichia chipset and Philips Xitanium driver  
Sleek design prevents build up of dust and dirt on the luminaire  
Designed and constructed for robust industrial environments. Rated IP66, IK10.  
Fully optioned to suit a great many applications.



### OPTIONS



Wattage - Nominal, via internal switch

30W	4,120 lm	40W	5,500 lm	50W	6,820 lm
-----	----------	-----	----------	-----	----------

Sensors - PE cell light sensor  
- Microwave motion sensor

Emergency - Built-in Maintained Emergency pack  
- 3 hour run-time at 5W emergency output - 630 lm

CCT options - 2200K, 3000K, 4000K, 5000K, Amber (turtle friendly),  
- Green (Emergency eyewash station)

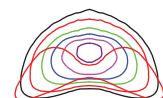
Optical lenses - T2M and T4M lenses are standard  
- Other lens options are available:  
Symmetric: T5M, T5W,  
Asymmetric: T2M, T3M, T4S, T4M

Housing - Grey RAL7004 (Standard), Black RAL9011  
- Emergency has orange driver compartment cover.

T2M lenses option



T4M lenses option





## MAKO STANDARD SPECIFICATION

Power consumption	30W, 40W, 50W (nominal, via internal switch)
Input voltage options	120-277VAC (12VDC option also available)
LED chip drive current	30W - 530mA, 40W - 700mA, 50W - 875mA
Power factor	≥0.95 at full load
Surge protection	I <sub>max</sub> 10kA
LED chips	Nichia 3535. ~140+ lm/W
Driver / Dimming	Philips Xitanium / Dimmable 1-10VDC
Luminous flux	30W - 4120 lm, 40W - 5500 lm, 50W - 6820 lm
Colour temperature	5000K (options for 2200K, 3000K, 4000K, Green, Amber)
CRI	RA >70
Light distribution	IESNA T2M standard. T3M, T4S, T4M options
IP / IK Rating	IP66 / IK10
Composition - lenses	Polycarbonate - no glass
Composition - housing	Aluminium with polyester coating (>100 microns)
Exterior colour	Grey-RAL7004 or black. Orange panel (Emergency)
Spigot entry dimensions	35mm diameter, 75mm depth
Cable entry diameter	10-14mm
Weight	3.6kg
Dimensions / EPA	495L x 200W x 79mmH / 0.076m <sup>2</sup>
Working temperature	-40 to 50 °C
Service life	>50,000 hours
Warranty	5 years.



## APPLICATIONS

Sleek design suits general streetlighting tasks at low mounting heights of 4 to 6m

Area lighting around industrial plants, mining camps, outbuildings, storage yards, muster points, access gates, roads & tracks

Task lighting over plant & equipment, conveyors & gantries, typically with 2.4-3m mounting height

Emergency applications, including emergency shower and eyewash stations.



## MAKO EMERGENCY UNIT SPECIFICATIONS

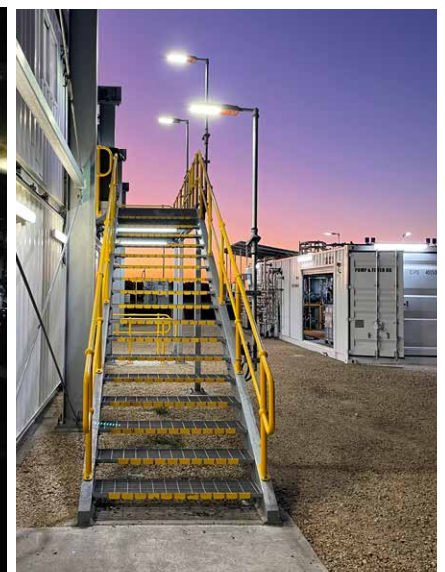
Emergency Type	Maintained
Wattage	40W
Input Voltage	120-277VAC
Lumen Output	5500 lm
Emergency Output	5W - 630 lm
Emergency Runtime	3 hours
Testing System	Self test via button
Operating Temp	0 – 40°C
IP Rating	IP66
Battery	LiFe PO4
Battery Voltage	6.4V
Battery Capacity	3200mAh
Classification	C0:E125 C90 D12.5
Certification	ASNZ 2293.3
Weight	4.2kg
Dimensions / EPA	495L x 200W x 79mmH / 0.076m2
Cable entry diameter	10-14mm
Warranty	3 years.



Status indicator & manual test button

Battery enclosed in driver compartment

# MAKO



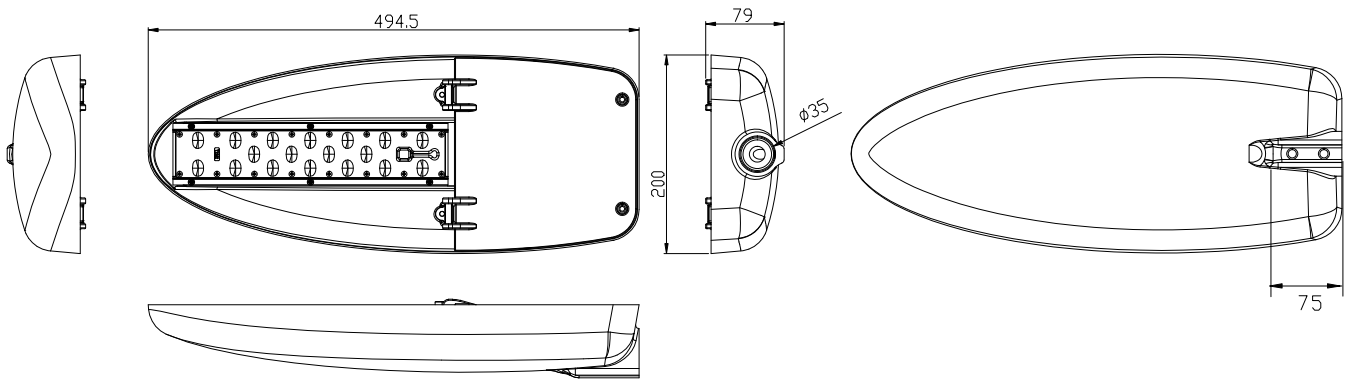


## MODEL NUMBER SYSTEM

<b>ML</b>	<b>C</b>	<b>040</b>	<b>L</b>	<b>T2M</b>	<b>7</b>	<b>50</b>	<b>GY</b>	<b>PE</b>
<b>DRIVE CURRENT</b>	<b>WATTAGE</b>	<b>VOLTAGE</b>	<b>OPTIC</b>	<b>CRI</b>	<b>CCT</b>	<b>HOUSING COLOUR</b>	<b>CONTROL</b>	
<b>A</b> 350mA	<b>020</b>	<b>L</b> 240VAC	<b>T2M</b>	<b>7</b> >70	<b>22</b> 2200K	<b>GY</b> Grey RAL 7004	<b>00</b> No control	
<b>B</b> 530mA	<b>030</b>	<b>H</b> 415VAC	<b>T3M</b>	<b>8</b> >80	<b>30</b> 3000K	<b>BK</b> Black RAL 9011	<b>EM</b> Emergency	
<b>C</b> 700mA	<b>040</b>	<b>D</b> 12-24VDC	<b>T4S</b>		<b>40</b> 4000K		<b>DIM</b> 1-10V	
<b>D</b> 1050mA	<b>060</b>		<b>T5M</b>		<b>50</b> 5000K		<b>MMS</b> Microwave sensor	
			<b>T5W</b>		<b>GN</b> Green 535nm		<b>PCM</b> Micro PE cell	
					<b>AM</b> Amber 595nm			

NB: The example shown above is written as:  
**MLC040L-T2M-750-GY-PCM**

## DIMENSIONS



## WALL BRACKET OPTION

Optional 304 stainless steel bracket with short spigot for mounting onto walls.  
Part number: MLMAKOBKT





## AMBER - TURTLE-FRIENDLY OPTION

Amber LEDs - 595nm  
For installations above the Tropic of Capricorn  
Or for exceptionally dusty or misty environments  
where visibility of other wavelengths is poor.



## MAKO GREEN EYEWASH STATION LIGHT WITH BUILT IN MAINTAINED EMERGENCY

Green LEDs - 535nm  
Wide T2M light spread  
Built-in maintained emergency light  
3 hours runtime @ 5w output  
IP66 & IK10 rated. 3 year warranty.



## LIGHTING CONTROL OPTIONS

### DIMMING

1-10VDC dimmable

### MICROWAVE MOTION SENSOR

Auto-dimming when unattended.  
Remote control programming.

### PE CELL

Auto on-off for operation between dusk and dawn



Microwave motion sensor with remote control

Micro PE cell with protective metal shield





## MAKO SOLAR OPTIONS

Off-grid options configured to balance the required light output with battery autonomy.

The Mako Area Light and panel/battery unit are supplied with connecting cables for true plug and play connectivity.

# MAKO

### CORSO PRO

Mako area light with motion sensor  
Coupled with 50W bi-facial solar panel and  
26Ah/312Wh Lithium Ion battery

Greater than 3 days autonomy based on  
25% time in full brightness

15W - 2100 lm at 100% output  
5W - 700 lm in dim mode.



### CORSO PRO

### SOLO SOLAR ENGINE

Mako area light coupled with a SOLO solar engine  
configured exactly to suit the requirements of  
each particular installation

3 standard sizes:

75W panel with 52Ah battery

100W panel with 83Ah battery

175W panel with 135Ah battery.



### SOLO

SOLAR ENGINE



# MAKO



**tigerlight**<sup>®</sup>

T 1300 184 437  
F 02 9913 8876  
E [info@tigerlight.com.au](mailto:info@tigerlight.com.au)

**National Support &  
Distribution Centre**  
Unit 8, 1 Vuko Place,  
Warriewood, NSW 2102

**Western Australia  
Office & Warehouse**  
Unit 3, 1 Distinction Road,  
Wangara, WA 6065

[tigerlight.com.au](http://tigerlight.com.au)

 Tigerlight Pty Ltd

 TigerlightLED

All documentation is subject to change without notice. © 20240815

