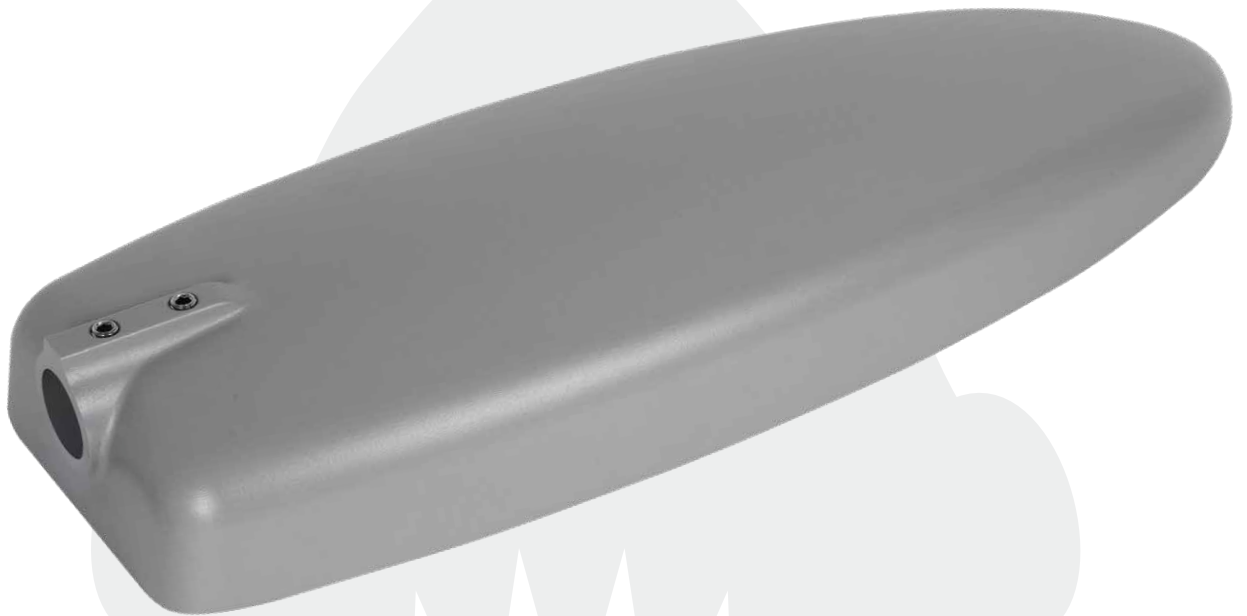




tigerlight®

HIGH-PERFORMANCE
INDUSTRIAL LIGHTING

MAKO AREA LIGHT
MAKO EMERGENCY LIGHT



MAKO





FULLY OPTIONED AREA LIGHT WITH MAXIMUM LIGHT SPREAD AT LOW MOUNTING HEIGHTS

Designed for mounting heights as low as 2.4m for gantries and conveyors and upwards to 6m for lighting perimeters, roadways and broader areas
Quality componentry - high output Nichia chipset and Philips Xitanium driver
Sleek design prevents build up of dust and dirt on the luminaire
Designed and constructed for robust industrial environments. Rated IP66, IK10.
Fully optioned to suit a great many applications.



OPTIONS



Wattage - Nominal, via internal switch

30W	4,120 lm	40W	5,500 lm	50W	6,820 lm
-----	----------	-----	----------	-----	----------

Sensors - PE cell light sensor
- Microwave motion sensor

Emergency - Built-in Maintained Emergency pack
- 3 hour run-time at 5W emergency output - 630 lm

CCT options - 2200K, 3000K, 4000K, 5000K, Amber (turtle friendly),
- Green (Emergency eyewash station)

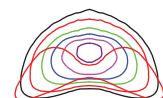
Optical lenses - T2M and T4M lenses are standard
- Other lens options are available:
Symmetric: T5M, T5W,
Asymmetric: T2M, T3M, T4S, T4M

Housing - Grey RAL7004 (Standard), Black RAL9011
- Emergency has orange driver compartment cover.

T2M lenses option



T4M lenses option





MAKO STANDARD SPECIFICATION

Power consumption	30W, 40W, 50W (nominal, via internal switch)
Input voltage options	120-277VAC (12VDC option also available)
LED chip drive current	30W - 530mA, 40W - 700mA, 50W - 875mA
Power factor	≥0.95 at full load
Surge protection	I _{max} 10kA
LED chips	Nichia 3535. ~140+ lm/W
Driver / Dimming	Philips Xitanium / Dimmable 1-10VDC
Luminous flux	30W - 4120 lm, 40W - 5500 lm, 50W - 6820 lm
Colour temperature	5000K (options for 2200K, 3000K, 4000K, Green, Amber)
CRI	RA >70
Light distribution	IESNA T2M standard. T3M, T4S, T4M options
IP / IK Rating	IP66 / IK10
Composition - lenses	Polycarbonate - no glass
Composition - housing	Aluminium with polyester coating (>100 microns)
Exterior colour	Grey-RAL7004 or black. Orange panel (Emergency)
Spigot entry dimensions	35mm diameter, 75mm depth
Cable entry diameter	10-14mm
Weight	3.6kg
Dimensions / EPA	495L x 200W x 79mmH / 0.076m ²
Working temperature	-40 to 50 °C
Service life	>50,000 hours
Warranty	5 years.



APPLICATIONS

Sleek design suits general streetlighting tasks at low mounting heights of 4 to 6m

Area lighting around industrial plants, mining camps, outbuildings, storage yards, muster points, access gates, roads & tracks

Task lighting over plant & equipment, conveyors & gantries, typically with 2.4-3m mounting height

Emergency applications, including emergency shower and eyewash stations.



MAKO EMERGENCY UNIT SPECIFICATIONS

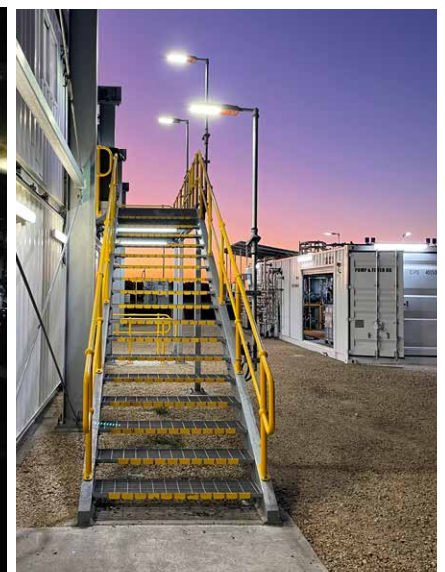
Emergency Type	Maintained
Wattage	40W
Input Voltage	120-277VAC
Lumen Output	5500 lm
Emergency Output	5W - 630 lm
Emergency Runtime	3 hours
Testing System	Self test via button
Operating Temp	0 – 40°C
IP Rating	IP66
Battery	LiFe PO4
Battery Voltage	6.4V
Battery Capacity	3200mAh
Classification	C0:E125 C90 D12.5
Certification	ASNZ 2293.3
Weight	4.2kg
Dimensions / EPA	495L x 200W x 79mmH / 0.076m2
Cable entry diameter	10-14mm
Warranty	3 years.



Status indicator & manual test button

Battery enclosed in driver compartment

MAKO



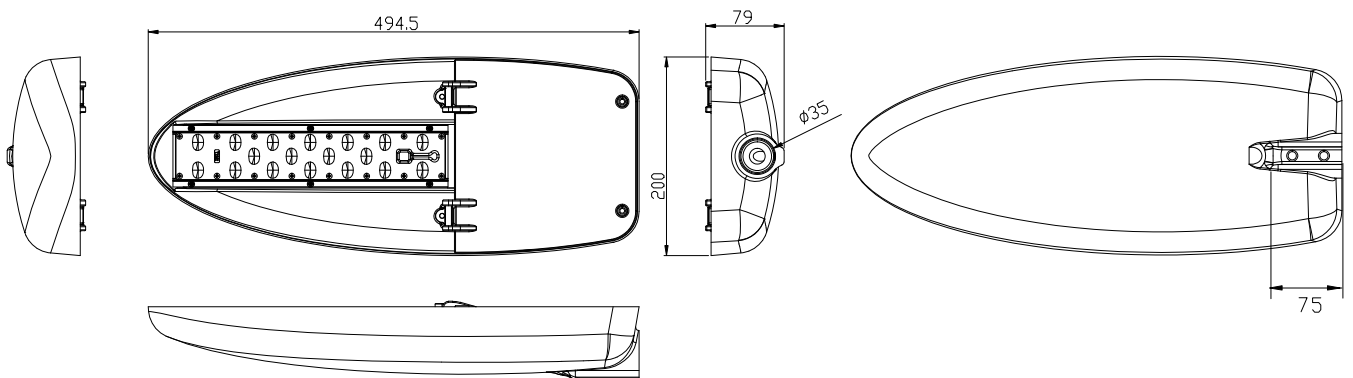


MODEL NUMBER SYSTEM

ML	C	040	L	T2M	7	50	GY	PE
DRIVE CURRENT	WATTAGE	VOLTAGE	OPTIC	CRI	CCT	HOUSING COLOUR	CONTROL	
A 350mA	020	L 240VAC	T2M	7 >70	22 2200K	GY Grey RAL 7004	00 No control	
B 530mA	030	H 415VAC	T3M	8 >80	30 3000K	BK Black RAL 9011	EM Emergency	
C 700mA	040	D 12-24VDC	T4S		40 4000K		DIM 1-10V	
D 1050mA	060		T5M		50 5000K		MMS Microwave sensor	
			T5W		GN Green 535nm		PCM Micro PE cell	
					AM Amber 595nm			

NB: The example shown above is written as:
MLC040L-T2M-750-GY-PCM

DIMENSIONS



WALL BRACKET OPTION

Optional 304 stainless steel bracket with short spigot for mounting onto walls.
Part number: MLMAKOBKT





AMBER - TURTLE-FRIENDLY OPTION

Amber LEDs - 595nm
For installations above the Tropic of Capricorn
Or for exceptionally dusty or misty environments
where visibility of other wavelengths is poor.



MAKO GREEN EYEWASH STATION LIGHT WITH BUILT IN MAINTAINED EMERGENCY

Green LEDs - 535nm
Wide T2M light spread
Built-in maintained emergency light
3 hours runtime @ 5w output
IP66 & IK10 rated. 3 year warranty.



LIGHTING CONTROL OPTIONS

DIMMING

1-10VDC dimmable

MICROWAVE MOTION SENSOR

Auto-dimming when unattended.
Remote control programming.

PE CELL

Auto on-off for operation between dusk and dawn



Microwave motion sensor with remote control

Micro PE cell with protective metal shield





MAKO SOLAR OPTIONS

Off-grid options configured to balance the required light output with battery autonomy.

A 12VDC Mako Area Light and CORSO solar engine are packaged complete with connecting cables for true plug and play connectivity.

MAKO

CORSO SOLAR ENGINE

Mako area light coupled with a CORSO solar engine configured exactly to suit the requirements of each particular installation, and according to the solar region

3 standard sizes of CORSO solar engines are available:

- 55W panel with 380Wh battery
- 110W panel with 1100Wh battery
- 175W panel with 1690Wh battery.

CORSO
SOLAR ENGINE

CORSO PRO PACKAGES

12VDC Mako area light is packaged with the appropriately sized CORSO solar engine for each particular solar region.

3 standard sizes of CORSO PRO packages available:

- CORSO 55 PRO Mako with 55W panel with 380Wh battery
- CORSO 110 PRO Mako with 110W panel with 1100Wh battery
- CORSO 175 PRO Mako with 175W panel with 1690Wh battery.



MAKO



tigerlight[®]

T 1300 184 437
F 02 9913 8876
E info@tigerlight.com.au

**National Support &
Distribution Centre**
Unit 8, 1 Vuko Place,
Warriewood, NSW 2102

**Western Australia
Office & Warehouse**
Unit 3, 1 Distinction Road,
Wangara, WA 6065

tigerlight.com.au

 Tigerlight Pty Ltd

 TigerlightLED

All documentation is subject to change without notice. © 20260212

