



# CORSO 55 PRO PACKAGE SOLAR AREA LIGHT PACKAGE

### Package contents

**CORSO 55 SOLAR ENGINE 55W - 380Wh**  
**MAKO 12V LIGHT HEAD**  
**CORSO OUTREACH ARM / BRACKET**

### Product Codes

SSCORSO55  
MLCORSO  
SSML-BKT

ESSENTIAL COMPONENTS FOR A SOLAR STREETLIGHT / PATHLIGHT / AREA LIGHT  
RELIABLE DUSK-TO-DAWN OPERATION

### CORSO 55 SOLAR ENGINE

- Quality-built 55W solar panel
- LiFePO4 battery
- Smart Controller delivering 380Wh operation
- Microwave motion sensor with 10m range
- Programming options to deliver up to 3 days autonomy. See below for programming options.

### MAKO LIGHT HEAD

- Sleek, attractive design
- Wattage set to suit the applicable Solar Zone, balancing light output and battery autonomy
- Light output from 1600 lm to 4000 lm depending on geographic region lm
- Plug & Play connection to Corso solar panel.

### OUTREACH ARM / BRACKET

- Support arm/spigot 34mm diameter for Mako light
- Mounting clamp for poles of 76-90mm Diameter.
- NB: Vertical pole not included.



Outreach arm & bracket included

Pole not included

### SENSOR PROGRAM FOR MAXIMUM AUTONOMY & OUTPUT

Typical programming option:

**P2** 30% output / 100% with sensor - dusk to dawn operation.

DUSK

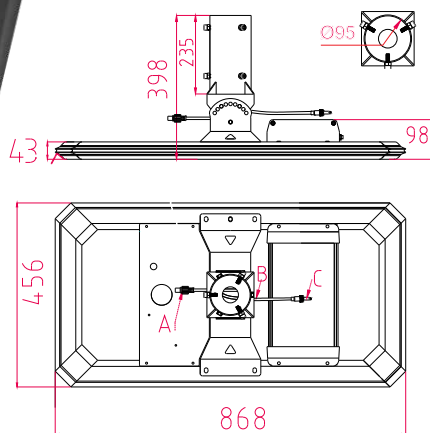
DAWN





**CORSO 55 SOLAR ENGINE SSCORSO 55**  
**55W SOLAR PANEL 380Wh BATTERY**

Solar panel	55W [110 & 175W also available]
Battery rating	380Wh
Battery type	LiFePO4
Battery voltage	12.8V
Battery lifespan	>2000 cycles
Operating temp	-10 to +70°C
Panel spec	Monocrystalline - A grade
Panel Efficiency	Up to 25.5%
Controller	MPPT Smart Controller Direct 12.8V battery feed
Sensor	Microwave Motion Sensor
Sensor range	360°, 8m height 10m diam
Protection	Battery Management System
Materials	Anodized aluminium alloy frame and battery housing, stainless steel brackets & fixings
Bracket	95mm internal diameter (84mm available - special order)
Tiltable Panel	0, 15, 30, 45 degree settings
IP / IK Rating	IP65 / IK08
Dimensions	868x456x398mm
Weight	14kg
Warranty	5 years, Battery 3 years
Bird spikes	Included in packaging
Poles	Vertical pole not included.



**MAKO AREA LIGHT HEAD**  
**MLCORSO**

Luminous flux	1600 - 4000 lm
LED chips	Nichia 3535
Colour temp	5000K (plus options)
CRI	RA >70
Light distribution	T2M std (plus options)
IP / IK Rating	IP66 / IK10
Lenses	Polycarbonate - no glass
Housing	Aluminium
Exterior colour	Black
Spigot entry	35mm diam, 75mm depth
Cable entry	10-14mm
Weight	3.6kg
Dimensions	495L x 200W x 79mmH
Working temp	-40 to 50 °C
Service life	>50,000 hours
Warranty	5 years.



**OUTREACH ARM / BRACKET**  
**SSML-BKT**

Support arm/spigot 34mm diameter  
 Mounting clamp for poles of 76-90mm Diam

