



CORSO 175 PRO PACKAGE SOLAR AREA LIGHT PACKAGE

Package contents

CORSO 175 SOLAR ENGINE 175W - 1690Wh
MAKO 12V LIGHT HEAD
CORSO OUTREACH ARM / BRACKET

Product Codes

SSCORSO175
MLCORSO
SSML-BKT

ESSENTIAL COMPONENTS FOR A SOLAR STREETLIGHT / PATHLIGHT / AREA LIGHT
RELIABLE DUSK-TO-DAWN OPERATION

CORSO 55 SOLAR ENGINE

Quality-built 175W solar panel
LiFePO4 battery
Smart Controller delivering 1690Wh operation
Microwave motion sensor with 10m range
Programming options to deliver up to 3 days autonomy.
See below for programming options.

MAKO LIGHT HEAD

Sleek, attractive design
Wattage set to suit the applicable Solar Zone, balancing light output and battery autonomy
Light output from 4500 lm to 9000 lm depending on geographic region lm
Plug & Play connection to Corso solar panel.

OUTREACH ARM / BRACKET

Support arm/spigot 34mm diameter for Mako light
Mounting clamp for poles of 76-90mm Diameter.
NB: Vertical pole not included.



Outreach arm & bracket included

Pole not included

SENSOR PROGRAM FOR MAXIMUM AUTONOMY & OUTPUT

Typical programming option:

P2 30% output / 100% with sensor - dusk to dawn operation.

DUSK

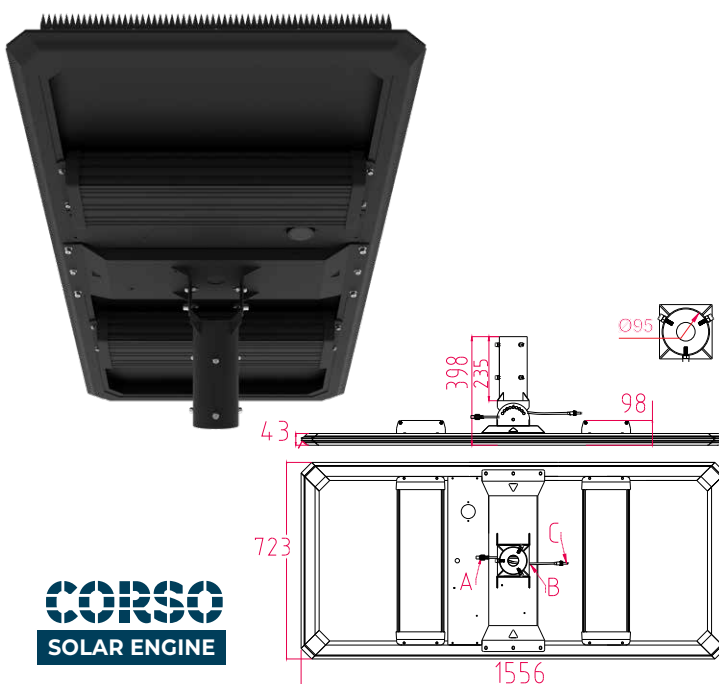
DAWN





CORSO 175 SOLAR ENGINE SSCORSO175
175W SOLAR PANEL 1690Wh BATTERY

Solar panel	175W [55 & 110W also available]
Battery rating	1690Wh
Battery type	LiFePO4
Battery voltage	12.8V
Battery lifespan	>2000 cycles
Operating temp	-10 to +70°C
Panel spec	Monocrystalline - A grade
Panel Efficiency	Up to 25.5%
Controller	MPPT Smart Controller Direct 12.8V battery feed
Sensor	Microwave Motion Sensor
Sensor range	360°, 8m height 10m diam
Protection	Battery Management System
Materials	Anodized aluminium alloy frame and battery housing, stainless steel brackets & fixings
Bracket	95mm internal diameter (84mm available - special order)
Tiltable Panel	0, 15, 30, 45 degree settings
IP / IK Rating	IP65 / IK08
Dimensions	1556x723x398mm
Weight	41.9kg
Warranty	5 years, Battery 3 years
Bird spikes	Included in packaging
Poles	Vertical pole not included.



MAKO AREA LIGHT HEAD
MLCORSO

Luminous flux	4500 - 9000 lm
LED chips	Nichia 3535
Colour temp	5000K (plus options)
CRI	RA >70
Light distribution	T2M std (plus options)
IP / IK Rating	IP66 / IK10
Lenses	Polycarbonate - no glass
Housing	Aluminium
Exterior colour	Black
Spigot entry	35mm diam, 75mm depth
Cable entry	10-14mm
Weight	3.6kg
Dimensions	495L x 200W x 79mmH
Working temp	-40 to 50 °C
Service life	>50,000 hours
Warranty	5 years.



OUTREACH ARM / BRACKET
SSML-BKT

Support arm/spigot 34mm diameter
 Mounting clamp for poles of 76-90mm Diam

