



# CORSO 110 PRO PACKAGE SOLAR AREA LIGHT PACKAGE

### Package contents

CORSO 110 SOLAR ENGINE 110W - 1100Wh  
MAKO 12V LIGHT HEAD  
CORSO OUTREACH ARM / BRACKET

### Product Codes

SSCORSO110  
MLCORSO  
SSML-BKT

ESSENTIAL COMPONENTS FOR A SOLAR STREETLIGHT / PATHLIGHT / AREA LIGHT  
RELIABLE DUSK-TO-DAWN OPERATION

### CORSO 110 SOLAR ENGINE

Quality-built 110W solar panel  
LiFePO4 battery  
Smart Controller delivering 1100Wh operation  
Microwave motion sensor with 10m range  
Programming options to deliver up to 3 days autonomy.  
See below for programming options.

### MAKO LIGHT HEAD

Sleek, attractive design  
Wattage set to suit the applicable Solar Zone, balancing light output and battery autonomy  
Light output from 2700 lm to 7500 lm depending on geographic region  
Plug & Play connection to Corso solar panel.

### OUTREACH ARM / BRACKET

Support arm/spigot 34mm diameter for Mako light  
Mounting clamp for poles of 76-90mm Diameter.  
NB: Vertical pole not included.



Outreach arm & bracket included

Pole not included

### SENSOR PROGRAM FOR MAXIMUM AUTONOMY & OUTPUT

Typical programming option:

**P2** 30% output / 100% with sensor - dusk to dawn operation.

DUSK

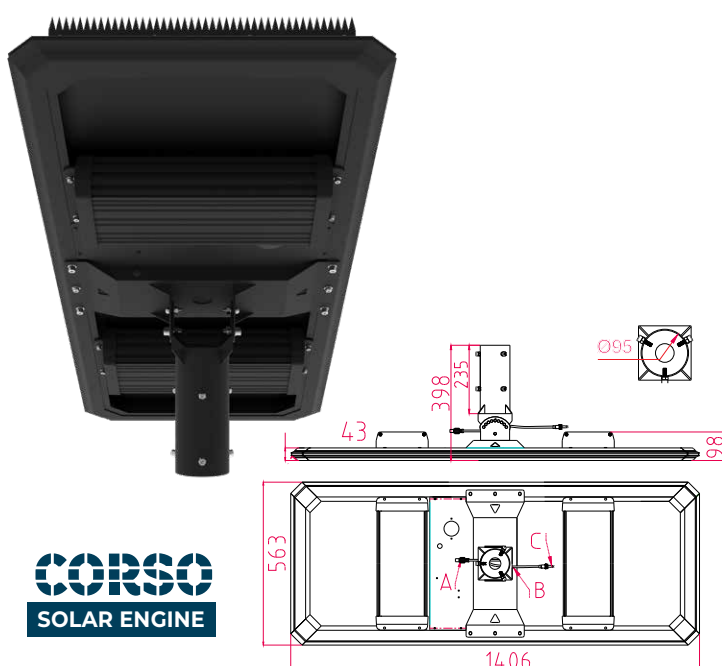
DAWN





**CORSO 55 SOLAR ENGINE SSCORSO110**  
**110W SOLAR PANEL 1100Wh BATTERY**

Solar panel	110W [55 & 175W also available]
Battery rating	1100Wh
Battery type	LiFePO4
Battery voltage	12.8V
Battery lifespan	>2000 cycles
Operating temp	-10 to +70°C
Panel spec	Monocrystalline - A grade
Panel Efficiency	Up to 25.5%
Controller	MPPT Smart Controller Direct 12.8V battery feed
Sensor	Microwave Motion Sensor
Sensor range	360°, 8m height 10m diam
Protection	Battery Management System
Materials	Anodized aluminium alloy frame and battery housing, stainless steel brackets & fixings
Bracket	95mm internal diameter (84mm available - special order)
Tiltable Panel	0, 15, 30, 45 degree settings
IP / IK Rating	IP65 / IK08
Dimensions	1406x563x398mm
Weight	33.6kg
Warranty	5 years, Battery 3 years
Bird spikes	Included in packaging
Poles	Vertical pole not included.



**MAKO AREA LIGHT HEAD**  
**MLCORSO**

Luminous flux	2700 - 7500 lm
LED chips	Nichia 3535
Colour temp	5000K (plus options)
CRI	RA >70
Light distribution	T2M std (plus options)
IP / IK Rating	IP66 / IK10
Lenses	Polycarbonate - no glass
Housing	Aluminium
Exterior colour	Black
Spigot entry	35mm diam, 75mm depth
Cable entry	10-14mm
Weight	3.6kg
Dimensions	495L x 200W x 79mmH
Working temp	-40 to 50 °C
Service life	>50,000 hours
Warranty	5 years.



**OUTREACH ARM / BRACKET**  
**SSML-BKT**

Support arm/spigot 34mm diameter  
 Mounting clamp for poles of 76-90mm Diam

