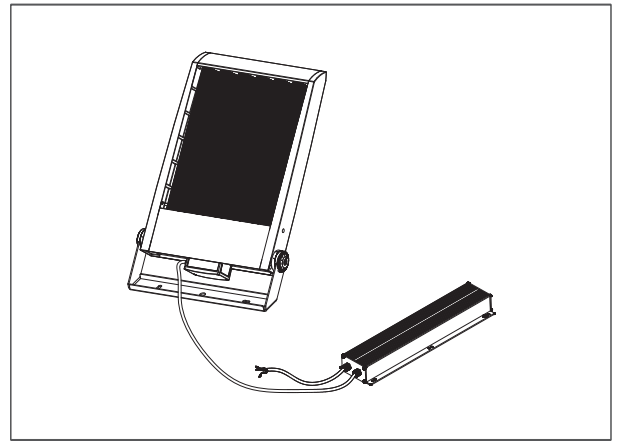


PLEASE READ THESE INSTRUCTIONS CAREFULLY BEFORE INSTALLATION

IMPORTANT INSTALLATION INFORMATION

1. Normal operating environment and temperature: -40°C-+50°C. Fixture is suitable for Airport, Car Dealerships, Achitectural, Factory, Warehouse, High Mast lighting and stadium lighting.
2. Before commencing installation or maintenance, ensure electricity is switched off at the mains. Installation or maintenance should be carried out by a qualified electrician.
3. Mounting height range of 3 to 12 meters, this model is suitable for outdoor lighting.
4. The light fixture luminous surface must not be installed facing upwards in outdoor installation.
5. The lenses or luminous surface of the light fixture should be cleaned regularly, to prevent dust or similar debris from covering it.
6. Light fixture should not be installed nearby or on flammable materials and must be installed away from heat sources, at least 100cm distance.
7. All light fixtures run hot therefore the space surrounding the light fixture shall have adequate airflow spacing of at least 100cm omni-directionally from the outer case. Fire hazards and local safety ordinances shall be taken into consideration by the installer before commissioning.



Above MBE960-U-PPS drawing is used as example for all other models.

Installation Instruction

1

Screw
U-bracket

STEP 1:
Unscrew and remove the U-bracket with an Allen wrench. See figure 1.

2

U-bracket
Mounting surface

STEP 2:
Drill holes in the mounting surface, refer to the U-bracket mounting hole size. Fix the U-bracket onto the mounting surface with 2pcs M10 bolts or 1pcs M20 bolt. See figure 3.

3

Dimensions for U-bracket Mounting Hole

MODEL: MAE640/MBE960/MBE1440/MBE1920/MBE2400

For mounting use 2 x M10 Bolts
or 1 x M20 Bolt

$\phi 20.5$
2-27
R6
350

Unit: mm

4

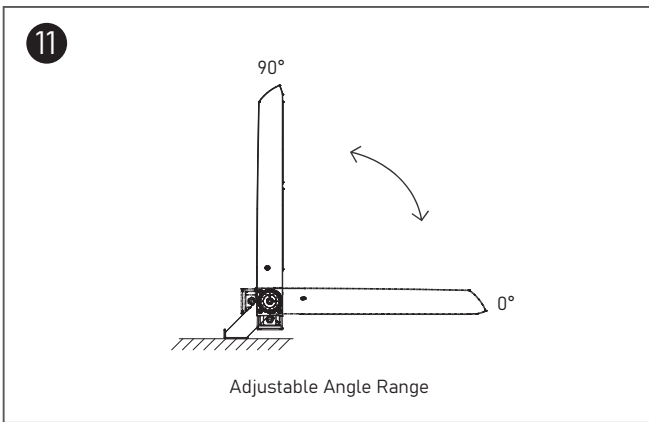
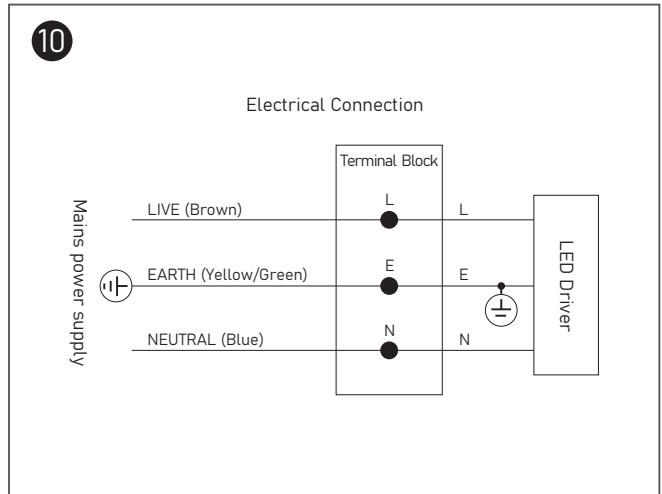
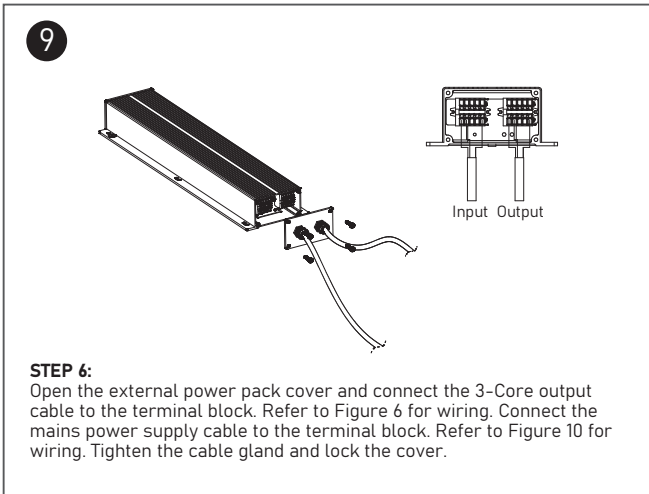
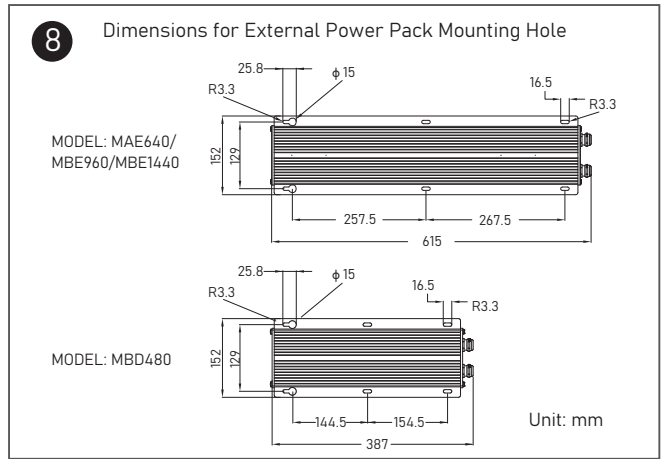
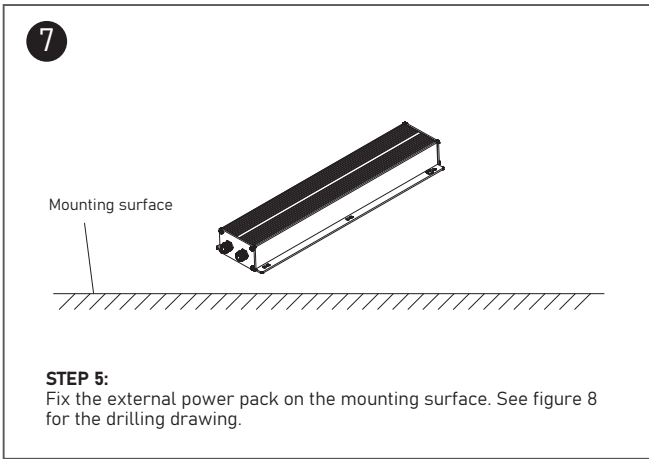
STEP 3:
Install the light fixture on the U-bracket and tighten with an Allen wrench. See figure 4.

5

STEP 4:
Tighten the screws slightly, rotate the light fixture to make it easier for wiring, then connect 3-core to the light body. See figure 5. For more details about wiring, please refer to the wiring instruction. See figure 6.
Then adjust the light fixture to the specific aiming direction for illumination, finally use an Allen wrench to fasten the screws tightly.

6

WIRING INSTRUCTION
STEP I: Open the junction box cover, connect the 3-core cable to the junction box.
STEP II: Identify the label on each cable, e.g., 1, 2, G and insert each of them to the corresponding position in the terminal block.
STEP III: Tighten the cable gland and lock the junction box cover.



Common causes and solution

Encountered Problem	Possible Cause	Remedy
Module does not light up	Internal wire disconnected	Open the light fixture and locate the loose wires, reconnect the connectors or wires. And retest.
	LED driver failure	Open the light fixture and check for disconnected wiring. If all wires are fine, then replace the LED driver with a new one and retest.
	Module failure	If all the above remedies are trialed and still not working, then the light module is most likely failed. Contact us for replacement and warranty information.



This logo indicates that this product must not be disposed with other wastes. Please recycle light fixture to prevent environmental hazard and threats to human health resulting from improper disposal.

Rev. Date: V7 01/01/2026