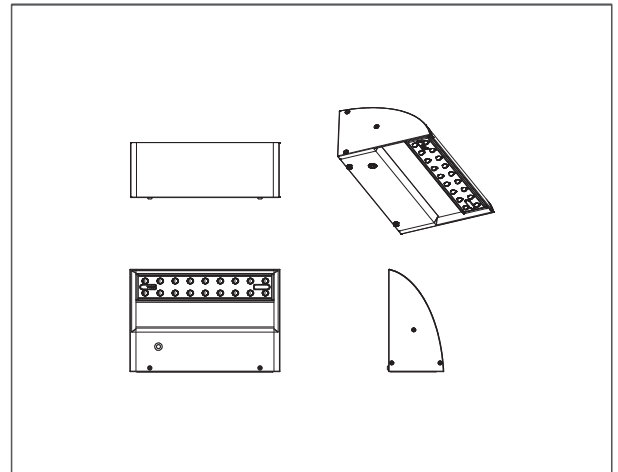


PLEASE READ THESE INSTRUCTIONS CAREFULLY BEFORE INSTALLATION

IMPORTANT INSTALLATION INFORMATION

1. Normal operating environment and temperature: -40°C - $+50^{\circ}\text{C}$. Fixture is suitable for Airport, Car Dealerships, Achitectural, Factory, Warehouse, High Mast lighting and stadium lighting.
2. Before commencing installation or maintenance, ensure electricity is switched off at the mains. Installation or maintenance should be carried out by a qualified electrician.
3. Mounting height range of 3 to 12 meters, this model is suitable for outdoor lighting.
4. The light fixture luminous surface must not be installed facing upwards in outdoor installation.
5. The lenses or luminous surface of the light fixture should be cleaned regularly, to prevent dust or similar debris from covering it.
6. Light fixture should not be installed nearby or on flammable materials and must be installed away from heat sources, at least 100cm distance.
7. All light fixtures run hot therefore the space surrounding the light fixture shall have adequate airflow spacing of at least 100cm omni-directionally from the outer case. Fire hazards and local safety ordinances shall be taken into consideration by the installer before commissioning.



Installation Instruction

1

STEP 1:
Unscrew the screws on the sides of the lamp body and take down the mounting bracket.

2

STEP 2:
Drill holes in the mounting surface, refer to the bracket mounting hole size. See Figure 3. Thread the supply wire through the central hole of the mounting bracket, then fix the bracket to the wall with screws. See Figure 2.

3

Dimensions for bracket Mounting Hole

Unit: mm

4

STEP 3:
Hang the lamp body on the hook of the mounting bracket, and connect the supply wire to the terminal block. See Figure 4 and figure 6.

5

STEP 4:
Fix the Light body to the mounting bracket on the wall with screws. See Figure 5.

6

SUITABLE WIRING CONNECTORS

LUN (Brown)	LUN	
LSW (Black)	LSW	
EARTH (Yellow/Green)	E	LUMINAIRE LEADS
NEUTRAL (Blue)	N	

WARNING:
Wiring to be performed by qualified electrician !
Risk of electrical shock !
Make certain supply voltage corresponds to luminaire voltage, as marked on luminaire label.
Wire per Figure 6.

This logo indicates that this product must not be disposed with other wastes. Please recycle light fixture to prevent environmental hazard and threats to human health resulting from improper disposal.