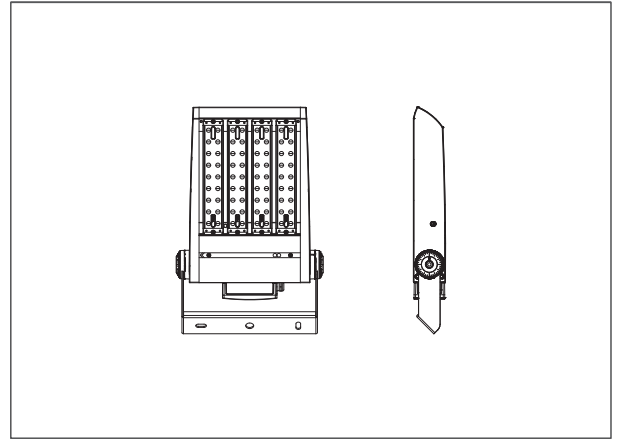


PLEASE READ THESE INSTRUCTIONS CAREFULLY BEFORE INSTALLATION

IMPORTANT INSTALLATION INFORMATION

1. Normal operating environment and temperature: -40°C-+50°C. Fixture is suitable for Airport, Car Dealerships, Achitectureal, Factory, Warehouse, High Mast lighting and stadium lighting.
2. Before commencing installation or maintenance, ensure electricity is switched off at the mains. Installation or maintenance should be carried out by a qualified electrician.
3. Mounting height range of 3 to 12 meters, this model is suitable for outdoor lighting.
4. The light fixture luminous surface must not be installed facing upwards in outdoor installation.
5. The lenses or luminous surface of the light fixture should be cleaned regularly, to prevent dust or similar debris from covering it.
6. Light fixture should not be installed nearby or on flammable materials and must be installed away from heat sources, at least 100cm distance.
7. All light fixtures run hot therefore the space surrounding the light fixture shall have adequate airflow spacing of at least 100cm omni-directionally from the outer case. Fire hazards and local safety ordinances shall be taken into consideration by the installer before commissioning.



Above AAC160L-U drawings are used as example for all other models.

Installation Instruction

1

Screws
U-bracket

STEP 1:
Remove screws from the yoke mounting bracket using an Allen wrench. See figure 1.

2

Mains power cable
U-bracket
Facade or other mounting surface

STEP 2:
Drill holes in the mounting plane, refer to the U-bracket mounting hole size. See Figure 3.
Fix U-bracket to mounting surface using 2pcs M10 bolts or 1pcs M20 bolt. See Figure 2.

3

Dimensions for U-bracket Mounting Hole

MODEL: AAC80/AAC120/AAD120/AAD180

MODEL: AAC160/AAC200/AAD240/AAD300

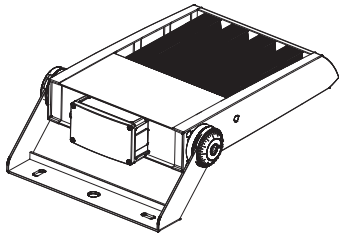
MODEL: AAC240/AAC320/AAD360/AAD480/ABD720/ABD960/ABD1200/ABD1400

Unit: mm

4

STEP 3:
Install the light fixture on the U-bracket and tighten with an Allen wrench. See Figure 4.

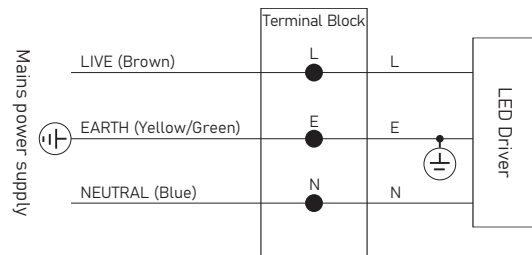
5



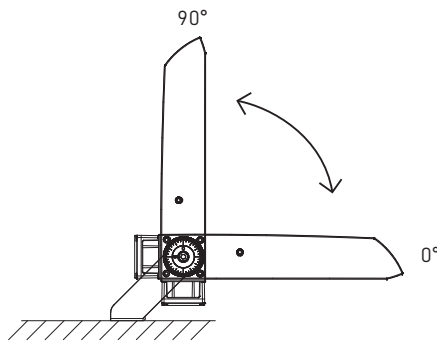
STEP 4:
Tighten the screws slightly, rotate the light body and make it easier for wiring, then connect mains power supply to the power cord of light body. See Figure 5.
For more details about wiring, please refer to the wiring instruction, see figure 6.
Then adjust the light body to the desired aiming direction of light, finally use an Allen wrench to fasten the screws tightly.

6

Electrical Connection



7



Adjustable Angle Range

Common causes and solution

Encountered Problem	Possible Cause	Remedy
Module does not light up	Internal wire disconnected	Open the light fixture and locate the loose wires, reconnect the connectors or wires. And retest.
	LED driver failure	Open the light fixture and check for disconnected wiring. If all wires are fine, then replace the LED driver with a new one and retest.
	Module failure	If all the above remedies are trialed and still not working, then the light module is most likely failed. Contact us for replacement and warranty information.



This logo indicates that this product must not be disposed with other wastes. Please recycle light fixture to prevent environmental hazard and threats to human health resulting from improper disposal.

Rev. Date: V7 01/01/2026