



Primo Hi-Temp LED Highbay

For temperatures up to 70°C • 20000 lm • 145W

Specified for high temperature environments to 70°C
 Energy efficient - 140 lumens per watt performance
 Optional wall-mounted bracket with remote driver
 Superior longevity and reliability



◀ Wall-mount option with remote driver

Now Primo Hi-Temp LED highbays are a viable option for industries where heat has been a barrier in the past.

Primo Hi-Temp highbays have been specifically designed to maintain the highest standards of performance and longevity in hot operating environments.

primo
 FIRST FOR HIGH PERFORMANCE LED HIGHBAYS

High-performance driver specified for higher operating temperatures

Better performance and longer lifespan at higher temperatures.
 Rated for operation to 70°C at lower loading (60%).

Driver in vertical position

Allows greater airflow around driver to reduce temperature.
 Remote drivers are specified with wall-mounted brackets. Driver can be located up to 20m from fitting.

Tempered glass fascia

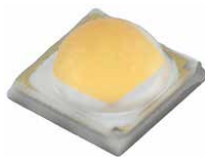
No plastic components are used anywhere in the fitting.

Central air tunnel

Creates a natural air current to draw hot air through the fitting and away from the LED board.

Ceramic casing in LED chip package

Faster heat transfer delivers greater dielectric performance and longevity at higher temperatures.
 LM80 testing shows very strong performance and exceptional colour stability at 105°C.



Applications

- Industrial lighting in very hot and/or humid operating environments
- Steel, aluminium and copper production, hot metal processing areas, drying kilns, paper manufacturing, hot wash areas, and mining.

145W lamp power	20,300 lumens	140 lm/W	45/120° BEAM	IP 66	IK 08	5 Year Warranty
--------------------	------------------	-------------	-----------------	----------	----------	-----------------------



DESIGNED AND BUILT IN KOREA FOR EXTRA HEAVY DUTY



Primo Hi-Temp LED Highbay

For temperatures up to 70°C • 20000 lm • 145W

Outstanding highbay performance

20,300 lumens from 145W - outstanding efficiency
 140 lumens per watt from latest high performance LEDs
 50,000+ hour service life and 5 year warranty.

primo⁺
 FIRST FOR HIGH PERFORMANCE
 LED HIGHBAYS

Two mounting options to suit the site

Ceiling-mounted

Suspended by chain from eye-bolt.
 Driver vertical for better heat management

Wall-mount bracket with remote driver

Enables fitting and driver to be moved away from directly above heat source.



120 degree beam

60 degree beam

Two beam angle options

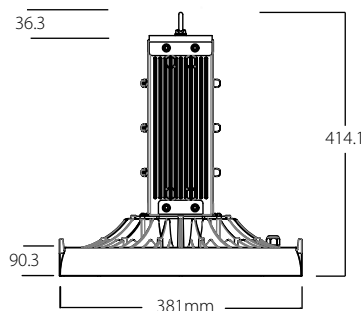
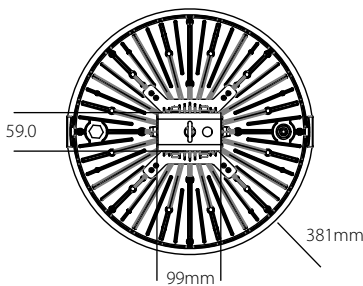
120 degree wide beam

Wider beam spread generally for lower ceilings and overlapping lighting plan.

60 degree narrow beam

For higher ceilings and where more concentrated light levels are required.
 A polished aluminium reflector plate inserted into the fitting narrows the light spread.

Physical Dimensions



Illuminance (60 deg)

(Lux in centre, Beam Diameter, Height)

4877 lux	1.8m	2m
1219	3.6	4
542	5.5	6
305	7.4	8
195	9.2	10
135	11.0	12
100	12.9	14
76	14.7	16
60	16.5	18

Illuminance (120 deg)

(Lux in centre, Beam Diameter, Height)

1653 lux	7.4m	2m
413	14.8	4
184	22.1	6
103	29.5	8
66	36.8	10
46	44.2	12
34	51.6	14
26	58.9	16
20	66.3	18

Technical parameters

Total power consumption	145W
Input voltage	100~277V AC
Power frequency / Power factor	50/60Hz / >0.9
Driver	Meanwell
LED chip spec	Samsung
Lumen output	20,300 lm
Luminous efficacy	~140 lm/W
Colour temperature	5,700°K
CRI	75
Beam angle	120deg /60deg with inner reflector
IP rating	IP66
Operating temperature	-30 to +70°C
Service life	50,000+ hrs
Construction - Body / reflector	Forged Aluminium / Aluminium
- Lens	Tempered glass
Weight	7.9kg (Ceiling-mount version)
Dimensions (Diam x Height)	381mm D x 414mm H
Remote driver - dimensions	290x130x55mm / 2.5kg
Remote driver - max distance	20m max - cable not supplied
Product codes - Chain 60deg	HPHT20K14560
- Chain 120deg	HPHT20K145
- Wall 60deg	HPHT20K14560W
- Wall 120deg	HPHT20K145W