



Leaders in energy efficient lighting



Primo 21K
21000 lm • 125W
170 lm/W
Dimmable



Primo 17K
17000 lm • 115W
150 lm/W
Dimmable



Primo 12K
12000 lm • 80W
150 lm/W
Dimmable

primo
FIRST FOR HIGH PERFORMANCE
LED HIGHBAYS

**World-Leading
Primo LED highbays**
Move another step ahead



tigerlight.com.au

Primo world-leading LED highbays move another step ahead.

Even greater LED performance from highly advanced LED and dimming technology.
Now up to 170 lumens/Watt. Dimmable 1-10VDC.

MADE IN KOREA

True industrial-quality lighting designed and built in Korea for the ultimate in energy saving performance.

Primo LED Highbays feature only the best available components

- High-performance LED chipsets, up to 170 lm/watt efficiency
- Latest drivers from Inventronics, tested to 80,000 hours at 70°C
- Superb Korean design and build quality for extra heavy duty
- Proven track record since first generation launched in 2013.

Daylight harvesting enabled

All Primo highbays are dimmable, unlocking huge potential savings when used with light or motion sensors.



Primo 12K LED Lowbay/Highbay

12,000 lumens - Only 80W power - Dimmable

12,000 lm

The ultimate lowbay with class-leading efficiency
12,000 lm from just 80W @150lm/W

NEW

- Comparable to 250-400W HID lowbay/highbay depending on ceiling heights and lux requirements
- Dims 1-10VDC. Enables auto-dimming with Tiger Eye light and motion sensors
- Polycarbonate lens for food-safe areas, in retail, manufacturing and logistics.
- White reflector minimises glare in low ceilings fitted as standard.
- 5700K
- IP65



Power	Lumen output	Beam angle	Comparable HID	Ceiling height
80W	12,000 lm	110 degrees	Up to 400W	5-8+m



Primo 17K LED Highbay

17,000 lumens - Only 115W power - Dimmable

17,000 lm

The complete energy-saving package

150 lm/W output - 17000 lumens from just 115W
Dimmable with sensors for even greater efficiencies

- State-of-the-art super-efficient LED chipset producing 150 lumens/Watt
- Dims 1-10VDC, enabling auto-dimming with Tiger Eye light and motion sensors
- Comparable to 400-700W HID depending on ceiling heights and lux requirements
- Colour temperature 5,700K. Rated IP65
- Polycarbonate lens for food-safe areas, in retail, manufacturing and logistics.



Optional 60 degree mirror reflector

NEW

Power	Lumen output	Beam angle	Comparable HID	Ceiling height	150+ lm/W	115/65° BEAM	IP 65	5 Year Warranty
115W	17,000 lm	115 degrees	400-700W	8-14+m				

Primo 21K LED Highbay

21,000 lumens - High Output 170 lm/watt - Dimmable

21,000 lm

Highly efficient - 125W @ 170 lm/W
 For greater lumen output

- For higher ceiling heights and for greater lux requirements
- Dims 1-10VDC. Enables auto-dimming with Tiger Eye light and motion sensors
- Colour temperature 5,700K
- Rated IP65.
- Polycarbonate lens for food-safe areas, in retail, manufacturing and logistics.



NEW

Power	Lumen output	Beam angle	Comparable HID	Ceiling height	170 lm/W	115/60° BEAM	IP 65	5 Year Warranty
125W	21,000 lm	115/60°	Up to 1000W	8-18+m				

Primo Range



Primo 12K LED Lowbay/Highbay

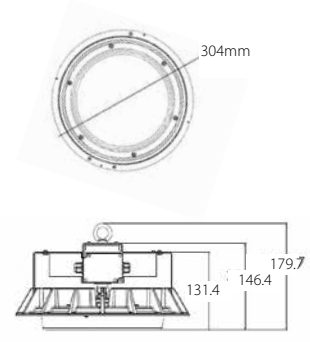
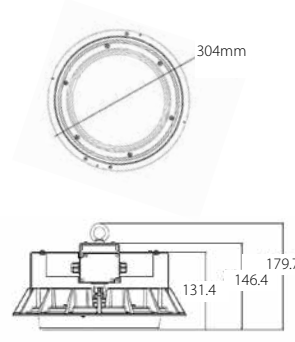
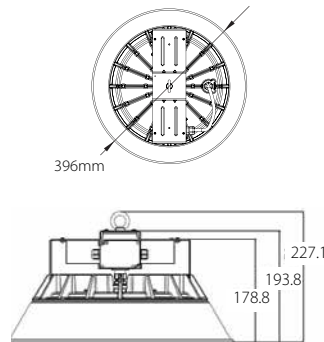


Primo 17K LED Highbay



Primo 21K LED Highbay

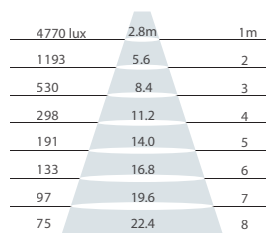
Dimensions



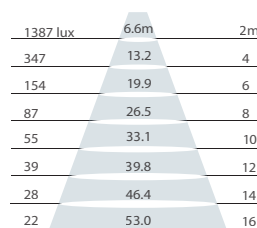
Technical Specifications	Primo 12K lowbay	Primo 17K highbay	Primo 21K highbay
Total power consumption	82W	115W	127W
Input voltage, frequency	100-277VAC, 50/60Hz	100-277VAC, 50/60Hz	100-277VAC, 50/60Hz
Power factor	0.98	0.98	0.98
Power supply / LED chips	Inventronics / Samsung	Inventronics / Samsung	Inventronics / Dongbu Korea
Lumen output	12,300 lm	17,000 lm	21,500 lm
Luminous efficacy	~150 lm/W	~150 lm/W	~170 lm/W
Colour temperature	5,700°K	5,700°K	5,700°K
CRI	80	80	75
Beam angle	110 degrees	115 deg / 65 deg with reflector	115 deg / 65 deg with reflector
Dimming / Type	Dimmable 1-10VDC	Dimmable 1-10VDC	Dimmable 1-10VDC
IP rating	IP65	IP65	IP65
Operating temperature	-30 to +50°C	-30 to +50°C	-30 to +50°
Service life	50,000+hrs	50,000+hrs	50,000+hrs
Construction - Body	Forged aluminium & steel	Forged aluminium & aluminium	Forged aluminium & aluminium
- Lens	Polycarbonate	Polycarbonate	Polycarbonate
Weight	4.8kg	3.4kg	3.4kg
Dimensions (Diam x Height)	396mm D x 227 H	304mm D x 180mm H	303mm D x 180mm H
Product code - Standard	HP12K80	HP17K115	HP21K1215
-Reflector	- (Fitted as standard)	HP17KAR (65 degrees)	HP21KAR (60 degrees)
-Diffuser & lens kit (foodsafes)	HP12K80LENSKIT	-	-

Illuminance
(Lux, Beam Diameter, Height)

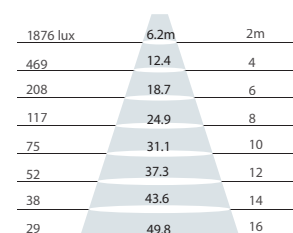
12K - 80W - 110° beam



17K - 115W - 115° beam



21K - 125W - 115° beam



Primo LED Highbays are designed and manufactured in Korea to exacting quality standards and manufacturing processes, which are accredited to ISO9001:2008 Quality Management System.

