

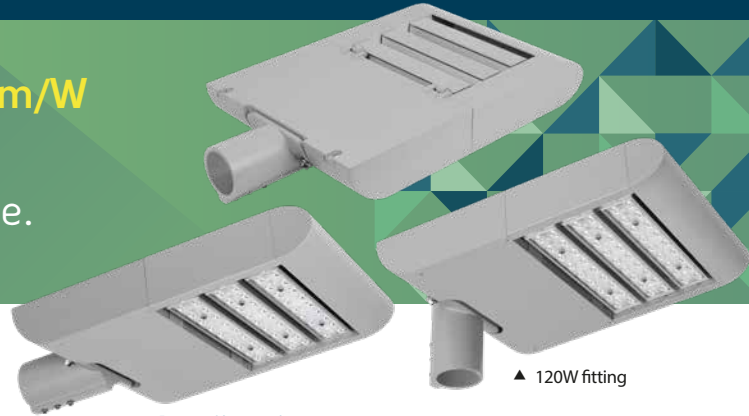


Tiger LED Street/Area Light

40W 80W 120W 160W 200W

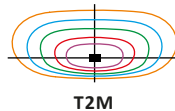
240W - 320W fittings are special order items

Class-leading performance - **now 140 lm/W**
 Highest quality components
 Built for ultra-dependable performance.



Class-leading light output

Super-efficient 140 lumens/watt
 5,500 lumens (40W) - 29,105 lumens (200W)
 T2M 'batwing' lenses are standard
 Range of other lens options available
 on special order for other applications
 (eg T3M, T4S for area lighting).



Applications

- Street lighting and area lighting
- Private roads, rail networks, hospitals, university grounds, shopping centres
- Car parks, forecourts & plaza areas.

Premium components for ultimate reliability

High performance LEDs & reliable Inventronics driver
 20kA surge protection
 50,000+ hours life, 5 year warranty.



Compact modular design - 40W modules

Lower cost of manufacture from economies of scale
 Faster turnaround of special orders
 Efficient heat management from hollow core module
 with excellent air flow-through.

Robust, glass-free construction

IP67 rating for dust and water exposure
 IK10 rating for impact & vandal resistance
 Polyester-coated aluminium casing
 Polycarbonate optical lenses - no glass
 IP67 rating.

OPTIONS MENU

- Sizes: 40W to 200W standard
240W to 320W on special order
- Lenses: 7 asymmetric lenses available
plus several round lenses on special order
- PE cells
- Microwave motion sensor
- Housing colour - grey is standard.
Black or other colours available
- Colour temps - 5000K standard
Amber, 3000, 4000, 6000K also available
- Dimming: DALI or 1-10VDC
- 277VAC or 415VAC.





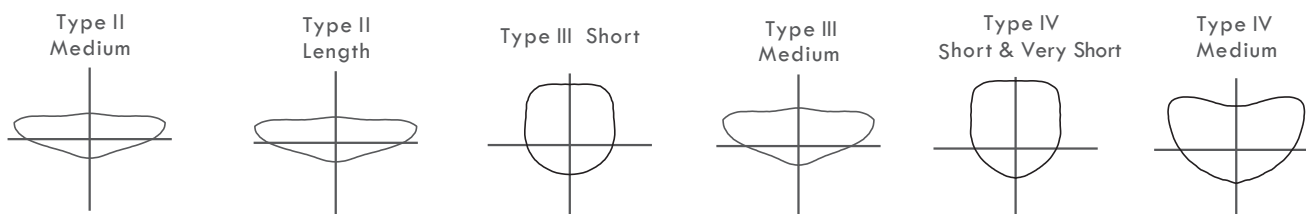
Tiger LED Street/Area Light

40W 80W 120W 160W 200W

 240 - 320W fittings also available on special order.
 Allow 7-8 weeks.

Photometrics - lens options

7 different asymmetric lens options are available. The standard configuration is T2M batwing.
 10 - 90 degree round lenses are also available on special order.



Practical, installer-friendly design

- Easy to open for quick installation.
- Fittings contain built-in bubble spirit levels
- WAGO press-release terminal block present for quick and easy installation.



- Spigot is assembled for a horizontal tenon mount.
- Reverse the spigot assembly for vertical pole mount.
- Spigot is adjustable -15° to +15° from the horizontal or vertical position to allow for tilting if required.

Fully tested and certified

IES files & photometric profiles available. Certification available for following standards:

IEC /EN 60598-1: 2008
 EN 62493:2010
 IEC62471-2:2009
 EN61547:2009
 EN 61000-3-3:2013
 (EC) 244/2009:2009-03-18
ENEC: No.: U6140888771007

IEC /EN 60598-2-3/A1: 2011
 IEC62471: 2008
 EN 55015: 2013
 EN61000-3-2/A2:2009
 (EU) 1194/2012:2012-12-12

CB: No.: SG-LE-0095

Ik08 rating, 3G vibration, 1000 hours salt mist test furnished upon request.



cULus and DLC QPL listed.
 (UL File No.: E467349)



MEGA MODULAR LIGHTING SYSTEM

Technical parameters

NB: Larger sizes of streetlights are generally special order items and require 7-8 weeks for assembly & shipping.

	40W	80W	120W	160W	200W
Comparable HID fitting	125W	250W	400W	500-600W	To 750W
Input voltage & frequency	AC 120-277V / 50-60Hz	AC 120-277V / 50-60Hz	AC 120-277V / 50-60Hz	AC 120-277V / 50-60Hz	AC 120-277V / 50-60Hz
LED drive current / Power factor	700mA / ≥ 0.95	700mA / ≥ 0.95	700mA / ≥ 0.95	700mA / ≥ 0.95	700mA / ≥ 0.95
LED modules / driver	1 x 40W / Inventronics	2 x 40W / Inventronics	3 x 40W / Inventronics	4 x 40W / Inventronics	5 x 40W / Inventronics
Luminous Flux / efficiency	5,500 lm / 140 lm/W	11,500 lm / 140 lm/W	17,420 lm / 140 lm/W	22,750 lm / 140 lm/W	44,620 lm / 140 lm/W
Colour temperature / CRI	5,000K / Ra>70	5,000K / Ra>70	5,000K / Ra>70	5,000K / Ra>70	5,000K / Ra>70
Light distribution	IESNA Type II Medium	IESNA Type II Medium	IESNA Type II Medium	IESNA Type II Medium	IESNA Type II Medium
IP Rating / Working temperature	IP67 / -40 ~ +50°C	IP67 / -40 ~ +50°C	IP67 / -40 ~ +50°C	IP67 / -40 ~ +50°C	IP67 / -40 ~ +50°C
Service life	≥ 50,000 hours	≥ 50,000 hours	≥ 50,000 hours	≥ 50,000 hours	≥ 50,000 hours
Composition - lenses	Polycarbonate	Polycarbonate	Polycarbonate	Polycarbonate	Polycarbonate
- Housing/heatsink	Aluminium	Aluminium	Aluminium	Aluminium	Aluminium
- Protective coating on housing	Polyester (100µm min)	Polyester (100µm min)	Polyester (100µm min)	Polyester (100µm min)	Polyester (100µm min)
Spigot - Inner Diameter / Length	62 mm ID / 120mm L	62 mm ID / 120mm L	62 mm ID / 120mm	62 mm ID / 120mm	62 mm ID / 120mm L
Pole-arm/horiz tenon Outer Diam	42-60mm OD	42-60mm OD	42-60mm OD	42-60mm OD	42-60mm OD
Weight / Dimensions LxWxDmm	9.5kg / 703x345x117mm	10.8kg / 763x345x117mm	11.5kg / 823x345x117mm	12.5kg / 943x345x117mm	13.9kg / 1003x345x117mm
Product order code	SLC040	SLC080	SLC120	SLC160	SLC200