



Tiger LED MegaFloods

450W 600W 750W 900W [SPECIAL ORDER ITEMS]

**415VAC OPTION
NOW AVAILABLE**

Unprecedented LED output - to 126,000 lm
Up to 140 lm/W efficiency

Modular design - powerful & compact
Lens and bracket options for all applications

Superior performance - up to 140 lm/W

140 lumens per watt efficiency for output to 126,000 lm
Latest high performance LEDs & Philips Xitanium drivers
Proven reliability in Australian conditions
50,000+ hour service life. 5 years warranty.

First class design and build quality

Compact modular design for low cost manufacture
Polyester-coated aluminium chassis and steel brackets
Stainless steel fascia on modules (304 grade)
Individual polycarbonate lenses over chips - no glass

Options to suit almost any application

415VAC option now available
Bright, white 5000K light. Other options available.
Rated IP67 and operating temperatures from -50 to +60°C
Range of lenses and brackets available on special orders.

**NB SOME COMBINATIONS OF LENSES AND BRACKETS ARE SPECIAL ORDER ITEMS.
PLEASE ALLOW APPROX 7-8 WEEKS FOR DELIVERY OF SPECIAL ORDERS.**



40W modules
of 18 LEDs



Above: 600W fitting
with spigot bracket

450W fitting
with wall/pole
bracket

Applications

Indoor & outdoor flood and highbay lighting in
heavy industry, mining, railyards, perimeters, carparks
stadiums and other sporting venues.



Modular LED flood Lumen output (lm) HID equiv (approx)	450W 63,500 1000-1200W	600W 84,700 1200-1500W	750W 105,000 To 2000W	900W 126,000 2000+W
Technical parameters	450W	600W	750W	900W
Power consumption: System	460W	610W	765W	920W
Comparable metal halide	1000-1200W HID	1200-1500W HID	To 2000W HID	2000+W HID
Input voltage	AC 120-277V / 415VAC option	AC 120-277V / 415VAC option	AC 120-277V / 415VAC option	AC 120-277V / 415VAC option
Input current	700mA	700mA	700mA	700mA
Power factor (PF)	≥ 0.95	≥ 0.95	≥ 0.95	≥ 0.95
LED chips	216 LEDs in 12 modules	288 LEDs in 16 modules	360 LEDs in 20 modules	432 LEDs in 24 modules
LED driver	Philips Xitanium	Philips Xitanium	Philips Xitanium	Philips Xitanium
Luminous Flux / efficiency	63,500 lm / 138 lm/W	84,700 lm / 138 lm/W	105,000 lm / 136 lm/W	126,000 lm / 136 lm/W
Colour rendering index (CRI)	Ra >70	Ra >70	Ra >70	Ra >70
Colour temperature	5,000K	5,000K	5,000K	5,000K
Lens type/beam spread	Options available	Options available	Options available	Options available
Working ambient temperature	-50 ~ +60°C	-50 ~ +60°C	-50 ~ +60°C	-50 ~ +60°C
IP rating	IP67	IP67	IP67	IP67
Service life	≥ 50,000 hours	≥ 50,000 hours	≥ 50,000 hours	≥ 50,000 hours
Composition - lenses	Polycarbonate	Polycarbonate	Polycarbonate	Polycarbonate
- Housing/heatsink	Aluminium	Aluminium	Aluminium	Aluminium
- Protective coating on housing	Polyester (100µm min)	Polyester (100µm min)	Polyester (100µm min)	Polyester (100µm min)
- Front fascia on modules	Stainless Steel (304)	Stainless Steel	Stainless Steel	Stainless Steel
Net weight	19.6kg	23.2kg	27.4kg	30.7kg
Dimensions (LxWxD flood/spigot)	622 x 680 x 373/123mm	742 x 680 x 373/123mm	922 x 680 x 373/123mm	1042 x 680 x 373/123mm
Order code - Pole/Wall mount bracket	FA450	FA600	FA750	FA900
- Ceiling mount bracket	FA450UM	FA600UM	FA600UM	FA900UM
- Spigot mount	FA450E	FA600E	FA750E	FA900E
- 415V option	Add "415" to codes above	Add "415" to codes above	Add "415" to codes above	Add "415" to codes above


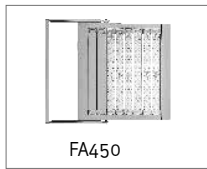
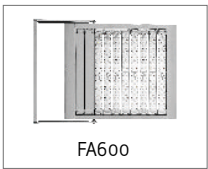
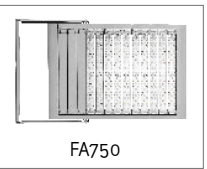
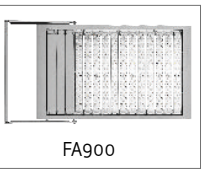

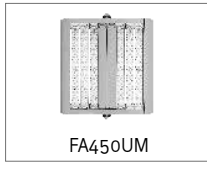

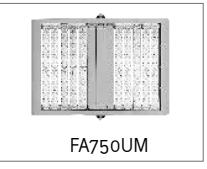
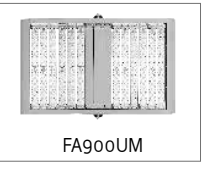







Tiger LED MegaFloods

450W 600W 750W 900W SPECIAL ORDER ITEMS

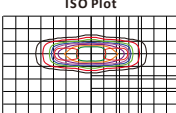
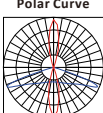
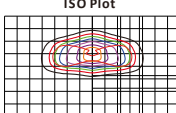
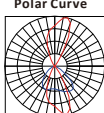
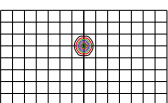
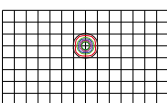
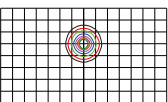
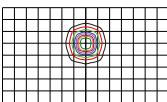
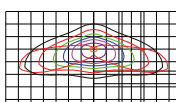
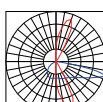
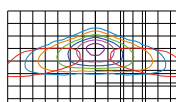
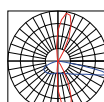
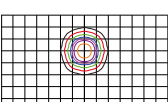
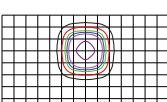
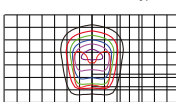
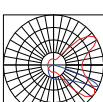
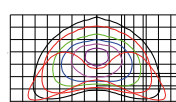
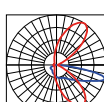
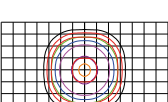
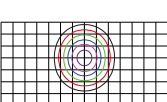
INCOMPARABLE RANGE OF OPTIONS - BRACKETS, LENSES, COLOURS, CCT & VOLTAGE

Bracket options

<p>Wall/Pole mount</p> 	 <p>FA450</p>	 <p>FA600</p>	 <p>FA750</p>	 <p>FA900</p>
<p>Ceiling mount</p> 	 <p>FA450UM</p>	 <p>FA600UM</p>	 <p>FA750UM</p>	 <p>FA900UM</p>
<p>Spigot mount</p> 	 <p>FA450E</p>	 <p>FA600E</p>	 <p>FA750E</p>	 <p>FA900E</p>

Lens options available - 6 asymmetric & 8 round lenses

Please note that these fittings are assembled to order, according to the lenses and bracket specified. Less common specifications may take longer to manufacture. Please allow approx 7-8 weeks for assembly and shipping.

<p>ISO Plot</p> 	<p>Polar Curve</p> 	<p>ISO Plot</p> 	<p>Polar Curve</p> 	<p>T5U Average beam angle 10°</p> 	<p>T5V Average beam angle 25°</p> 
<p>T1M Type I Medium</p>		<p>T2M Type II Medium</p>		<p>T5W Average beam angle 40°</p> 	<p>T5S Average beam angle 60°</p> 
<p>T3M Type III Medium</p> 		<p>T3L Type III Long</p> 		<p>T5M Average beam angle 90°</p> 	<p>T5L Average beam angle 120°</p> 
<p>T4S Type IV Short</p> 		<p>T4M Type IV Medium</p> 		<p>T5X Average beam angle 150°</p> 	<p>T5D Diffuser</p> 

Certification

Compliant with the following standards:

IEC/EN 60598-1: 2008
 IEC/EN 60598-2-3/A1: 2011
 EN 62493:2010
 IEC62471: 2008
 IEC62471-2:2009
 EN 55015: 2013

EN61547:2009
 EN61000-3-2/A2:2009
 EN 61000-3-3:2013
 (EU) 1194/2012:2012-12-12
 (EC) 244/2009:2009-03-18



CE CB IP67 IK08 ErP RoHS

Ik08 rating: 1000 hours salt mist test reports are furnished upon request.