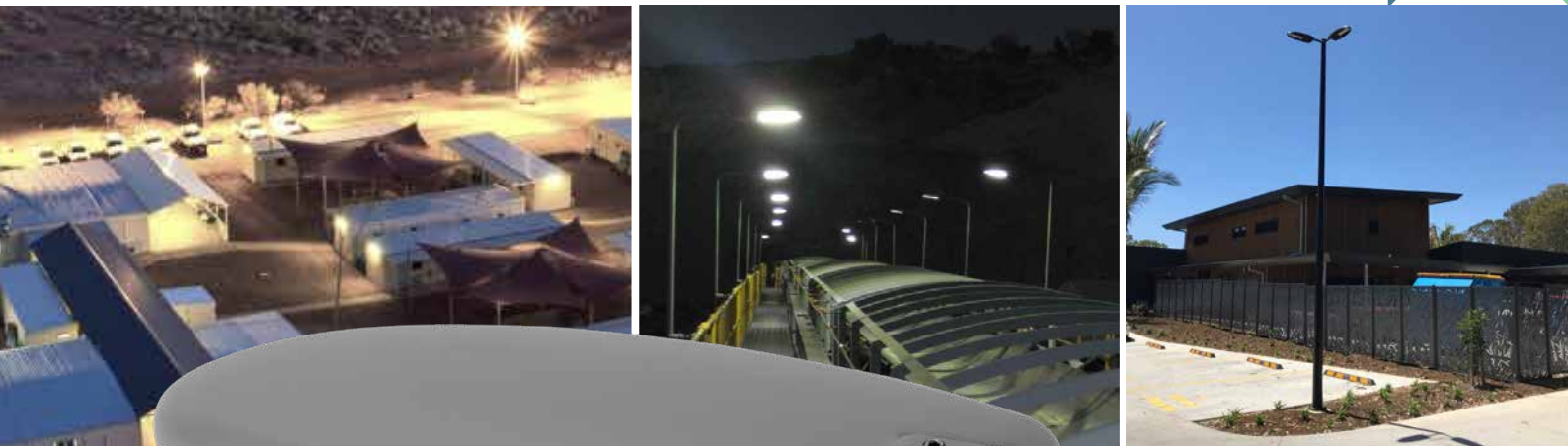


MAKO

by tigerlight



High-performance industrial area lighting built to take it.

For maximum light spread at low mounting heights from 2.4 to 6m.
Conveyors ▪ gantries ▪ walkways ▪ perimeters ▪ roadways

MAKO LED area light
30W - 4000lm ▪ 40W - 5400lm

NEW - EMERGENCY & SOLAR OPTIONS

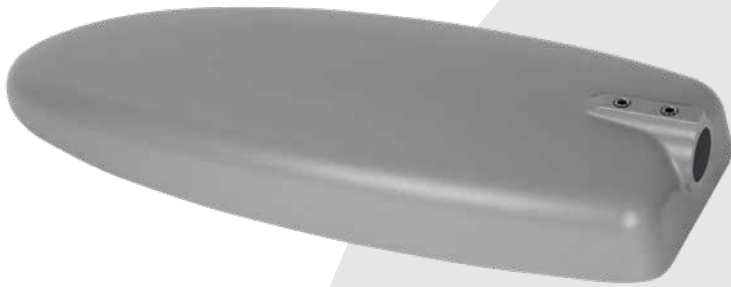


High-performance industrial lighting

MAKO

by tigerlight

Don't be misled by its sleek good looks.
The Mako is probably the toughest industrial
area light in use around Australia today.
With an unrivalled track record for reliability.



Sleek design with rounded surfaces
- designed to prevent build-up of soil
or caustic materials.

Polyester coated (min 100 microns),
cast aluminium housing.

35mm spigot entry, secured
by two stainless steel bolts.

LED module with polycarbonate
lenses. No glass in the fitting.
Rated IK10.



High-efficiency LED chips
producing ~140 lumens/Watt.

T2M lenses for wide batwing
light distribution
(T4M also available)



Super-reliable Philips Xitanium
driver. Nominal output - Switch-
able from 40W (standard) to 30W
to suit user lux requirements.

10kVA surge protection

IP67-rated to handle wet
and dusty environments.
(Emergency Mako is IP66.)



Operating temperatures of -40 to +50°C
for extreme conditions.

HEAVY-DUTY INDUSTRIAL-QUALITY AREA LIGHTING BUILT TO TAKE ANYTHING.

FOR MAXIMUM LIGHT SPREAD FROM LOW MOUNTING HEIGHTS FROM 2.4 M.

CONVEYORS ■ GANTRIES ■ WALKWAYS ■ PERIMETERS ■ ROADWAYS

options

40W MAKO (30W NOMINAL)

General area lighting

30W - 4000 lm; 40W - 5400 lm

Wide beam spread from T2M lenses.

Sleek modern design for mounting on poles with 32-35mm spigots. IP67 & IK10.

40W driver. Output can be switched to 30W if required.

40W Mako. Maximum light spread at low mounting heights:

4m	14 lux ave	32x13m area
5m	11 lux ave	37x16m
6m	8 lux ave	41x 18m
Beam area >1 lux. LLF 0.8		

30W Mako. Gantry & conveyor lighting between 2.4m and 3m:

2.4m	55 lux ave	14m spacing
2.7m	50 lux ave	16m spacing
3.0m	49 lux ave	16m spacing
Standard 40 lux average. LLF 0.7		

LIGHTING CONTROL OPTIONS

- PE CELL - auto on-off for operation between dusk and dawn
- MICROWAVE MOTION SENSOR Dimmable 1-10VDC for auto-dimming when unattended. Remote control programming.



MICROWAVE MOTION SENSOR
1-10VDC dimming programmable by remote control



PE CELL
Light sensor

EMERGENCY MAKO - 40W

Maintained emergency built-in inside driver compartment.

3 hour battery back-up.

40W - 5400 lm only. IP66.



Maintained emergency battery pack built-in.

5W emergency output.

3 hours 5W emergency runtime.

Secured inside driver compartment.

Status indicator light/test button underneath.

Emergency Mako is rated IP66. 3 yr warranty.



GREEN LED - EMERGENCY SHOWER

Safety shower & eyewash stations

Green LED chipset. 40W fitting.

Built-in 5W emergency pack.

3 hour battery back-up.

IP66. 3 year warranty.



40W fitting for greater light output.

Long 50,000 hrs service life.

Wide beam spread for greatly improved visibility in emergency situations.

3hr run-time @ 5W output.



SOLAR: 12V MAKO & 130W PANEL

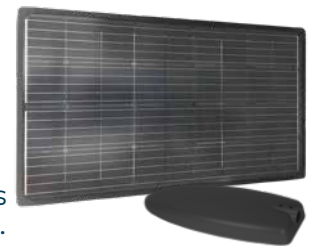
Quality 130W solar panel

Controller & Lithium ion battery pack

20/30W Mako light with sensor

Simple wiring connections supplied.

Solar package with industrial quality 130W solar panel, LiFeO4 batteries and controller, and 20/30W Mako with sensor. [30W for northern climates]. Simple bolt-onto-pole plug-and-play option where mains power is not the preferred option.



AMBER LED - TURTLE FRIENDLY

1800K colour temperature LED chips

30W or 40W nominal.

For areas above the Tropic of Capricorn where turtle-friendly lighting is prescribed.

Or for extremely dusty or foggy conditions requiring improved visibility.



HEAVY DUTY - 0.6/1kV CABLING

2.5mm 3 core 0.6/1kV V90 cable

Pre-fitted to 30/40W Mako fitting (optional).

4m heavy duty flex per fitting

Cable pre-fitted for ease of installation.

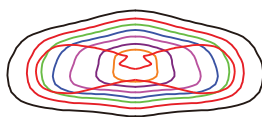


MAKO area light

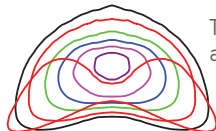
30W or 40W LED all-purpose industrial area/street light



Photometrics



T2M lenses standard
Batwing light distribution.



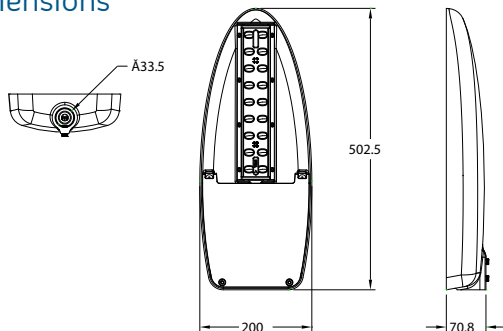
T4M lenses also available

Optional wall-bracket

Optional 304 stainless steel bracket with short spigot available for mounting onto walls (SAMAKOBKT).



Dimensions



SPECIFICATIONS - MAINTAINED EMERGENCY OPTION

Battery located inside driver compartment
5W emergency output - 3 hour runtime.

Operating mode	Maintained
Charging method	Intelligent current limited constant voltage
Testing system	Status light & test switch under fitting
Cable connector	4 core cable with 4 position terminal block Constant active, switched active, neutral, earth
Operating temp	0-40°C
IP Rating	IP66



MAKO

by tigerlight

Applications

- Sleek design suits general streetlighting tasks at low mounting heights of 4 to 6m.
- Low cost area lighting around industrial plants, mining camps, outbuildings, storage yards, muster points, access gates, roads & tracks
- Task lighting over plant & equipment, conveyors & gantries, typically with 2.4 - 3m mounting height
- Emergency option for emergency applications
- Emergency shower and eyewash stations



Maintained Emergency Option

Amber and Green LED Options

Technical parameters

Power consumption	30W or 40W (nominal)
Input voltage & frequency	120-277VAC; 50-60Hz
LED drive current / PF	30W-530mA, 40W-700mA / >0.95
LED chips / driver	High performance, 140 lm/W / Xitanium
Luminous flux / efficiency	30W-4000lm. 40W-5400lm. 140+lm/W
Colour temperature / CRI	5000K / RA >70
Light distribution	IES Type II Medium. T2M2 - Batwing
IP Rating	IP67 (Emergency Mako is IP66)
Working temp / EPA	-40 to +50 °C / 0.076m2
Service life	>50,000 hours
Warranty	5 years (3 years for Emergency & Solar)
Composition - lenses	Polycarbonate
- Housing/ heatsink	Cast Aluminium
- Protective coating	Polyester (100µm min)
Spigot entry / spigot OD	35mm entry / spigot OD 32-35mm
Exterior colour	Grey - RAL 7004, or black
Weight / Dimensions LxWxD	5.88kg / 495 x 200 x 75mm
Product codes - 30W/40W std	SL040MAKO
- Mako with PE Cell	SL 040MAKO-PE
- Mako with Microwave Sensor	SL040MAKO-MMS
- Emergency Mako - 40W only	SL040MAKO-EM
- 1kV V90 3-core cable fitted	SL040MAKO-4M
- Amber LED chips 1800K	SL040MAKO-AM
- Emergency Green Mako	SL040MAKO-EMG
- Solar Mako package 20/30W	SL020MAKOSOLAR / SL030MAKOSOLAR
- Stainless steel wall bracket	SLMAKOBKT