



SilverBack IP66 LED Battens Super-sleek. Super-strong.

20W - 600mm • 40W - 1200mm
Water Dust Corrosion Pressure proof



HEAVY DUTY INDUSTRIAL LIGHTING



tigerlight®

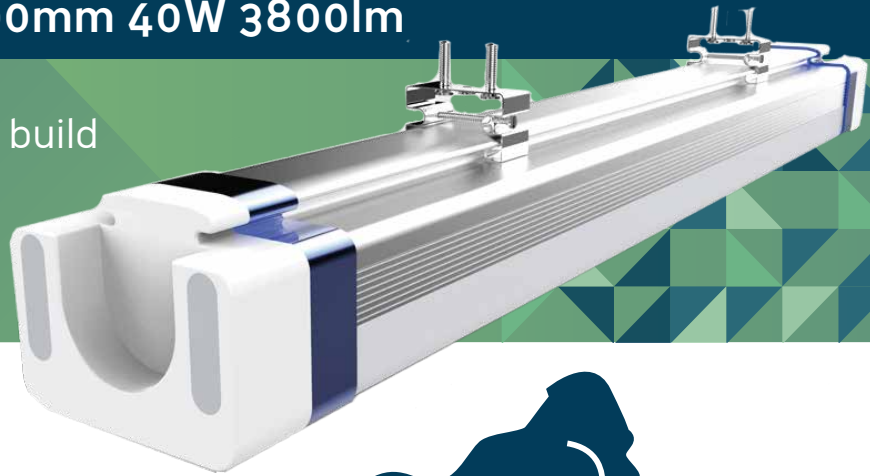
Leaders in energy efficient lighting



SilverBack IP66 LED Batten

600mm 20W 1900lm ▪ 1200mm 40W 3800lm

Sleek but super-strong design & build
IP66 protection against ingress
IK10 rated for impact resistance



Quality linear-style batten without tubes

- 95 lm/Watt
- Maximum efficiency, minimum glare
- High stability isolated driver
- 120 degrees beam angle
- 50,000 hours service life with 3 year warranty.

Clever hi-tech industrial design with flexible diffuser

- Architectural quality design
- Excellent heat dissipation all along aluminium housing
- Tough, flexible polycarbonate diffuser

Impressive level of protection against ingress and impact

- IP66 for protection against water, dust and corrosion
- Rated IK10 for impact resistance - vandal resistant
- Pressure resistant.



Applications

For use in internal or external applications, where high level of protection against water, particles, pressure and impact is required.

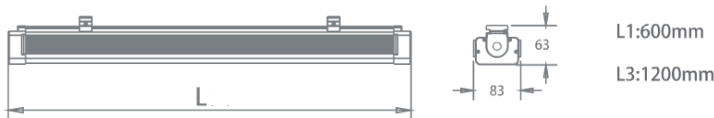
Modern hi-tech design makes it suitable to be installed in public and private spaces.

Manufacturing, warehouses & logistics, offices, car parks, service areas, tunnels, transport and security.



SILVERBACK LED BATTEN	LED	FLUORO T8 BATTEN EQUIVALENT
Single 600mm batten	20W	2 x 18W 600 mm T8 Fluoro batten
Double 1200mm batten	40W	2 x 36W 1200mm T8 fluoro batten

Dimensions: L 600/1200mm W 83mm H 63mm

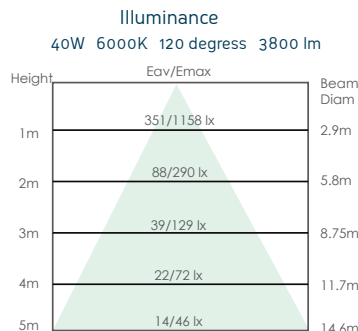
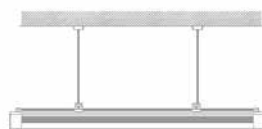


Installation options

- Ceiling mount



- Suspended on wires (also available)



Technical parameters

Batten specifications		
Format	600mm	1200mm
Power consumption	20W	40W
Fluorescent T8 equivalent	2 x 18W	2x36W plus ballasts
LED Chips	108	216
Lumen output	1900lm	3800 lm
Beam angle	120 degrees	
Colour temperature	6000K DayLight	
Colour rendering index (CRI)	>80	
Input voltage	100/240V AC, 50/60Hz	
Power Factor	>0.93	
THD	<20%	
Service life	50,000 hours	
Operating temperature	-20 to 40°C	
Operating Humidity	10-80%	
Construction	Aluminium with polycarbonate diffuser	
Weight	600mm 1.9kg / 1200mm 3.3kg	
Inclusions	Stainless steel mounting brackets	
Product Code:	PE0600DL (600mm) PE1200DL (1200mm)	

tigerlight®

www.tigerlight.com.au

t: 1300 184 437

f: 02 9913 8876

e: info@tigerlight.com.au

National Support Centre:

Unit 8, 1 Vuko Place,
Warriewood,
NSW, 2102

Local branches in Sydney
& NSW North Coast,
Melbourne, Brisbane,
Adelaide, Perth

© 20160527