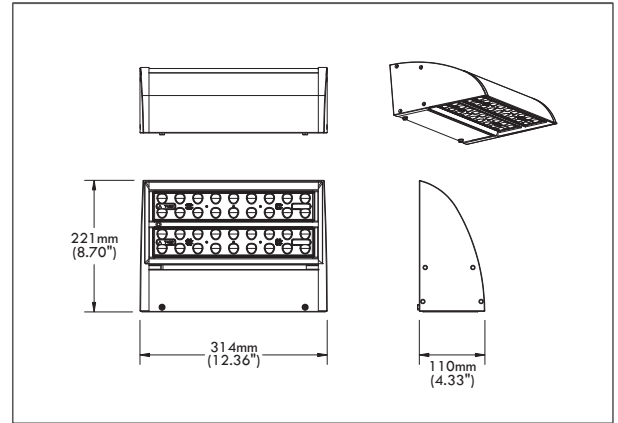


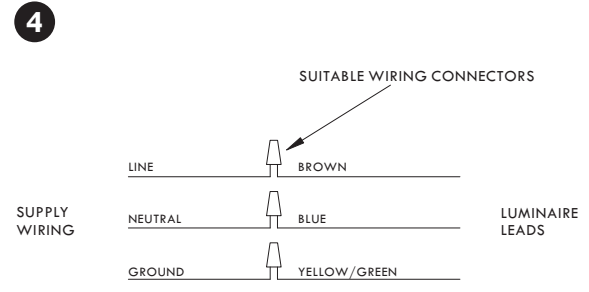
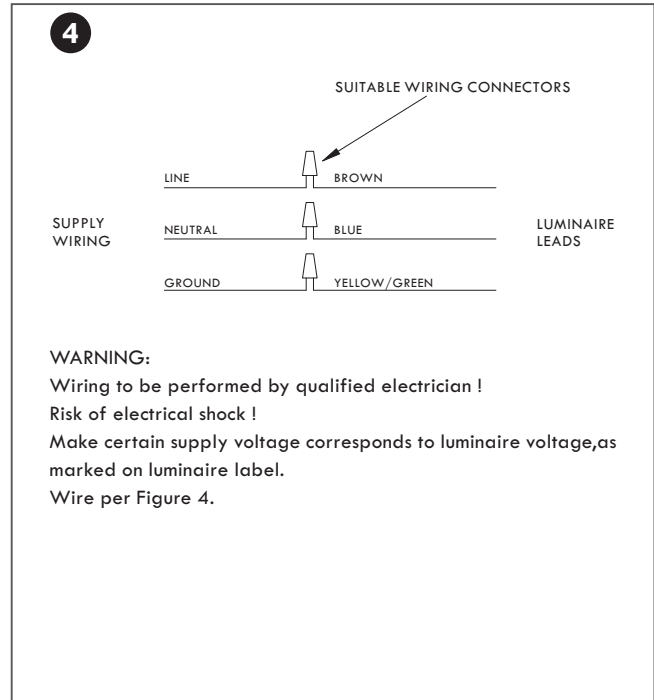
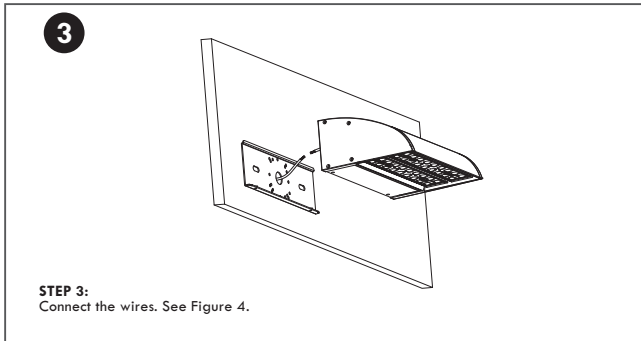
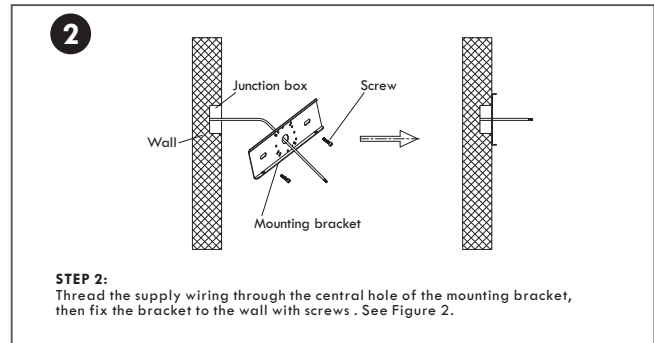
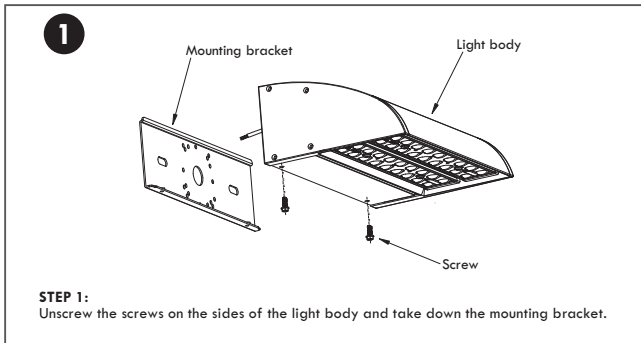
PLEASE READ THESE INSTRUCTIONS CAREFULLY BEFORE INSTALLATION

IMPORTANT INSTALLATION INFORMATION

1. Normal operating environment and temperature: -40°C — $+50^{\circ}\text{C}$. Fixture is suitable for area lighting and safety lighting.
2. Before commencing installation or maintenance, ensure electricity is switched off at the mains. Installation or maintenance should be carried out by a qualified electrician.
3. If the external flexible cable or cord of this luminaire is damaged, it shall be exclusively replaced by the manufacturer or his service agent or a similar qualified person in order to avoid a hazard.
4. Mounting height range: above 1.2 meters, and suitable for outdoor and indoor use.
5. Ensure there is adequate free air circulation of at least 50cm around the luminaire. All luminaires run hot. It is the installer's responsibility to consider fire risk and take appropriate precautions.
6. Caulk to mounting surface at top and sides.



Installation Instruction & Installation Steps



WARNING:
Wiring to be performed by qualified electrician !
Risk of electrical shock !
Make certain supply voltage corresponds to luminaire voltage, as marked on luminaire label.
Wire per Figure 4.

