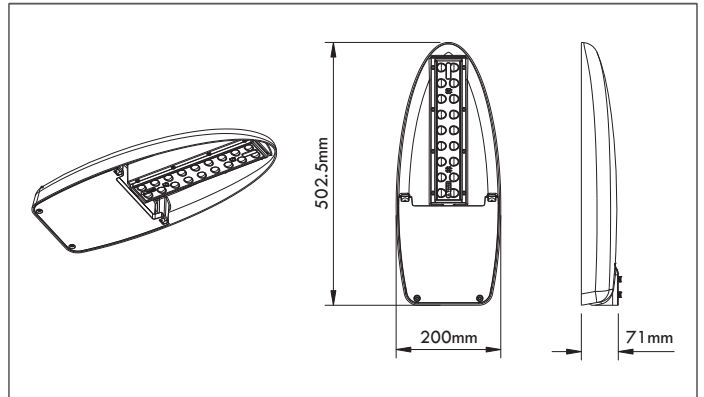


PLEASE READ THESE INSTRUCTIONS CAREFULLY BEFORE INSTALLATION

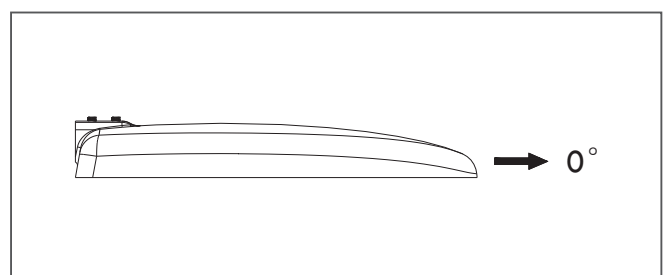
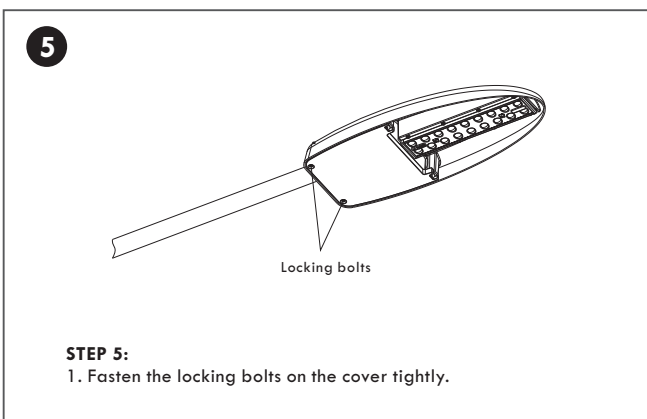
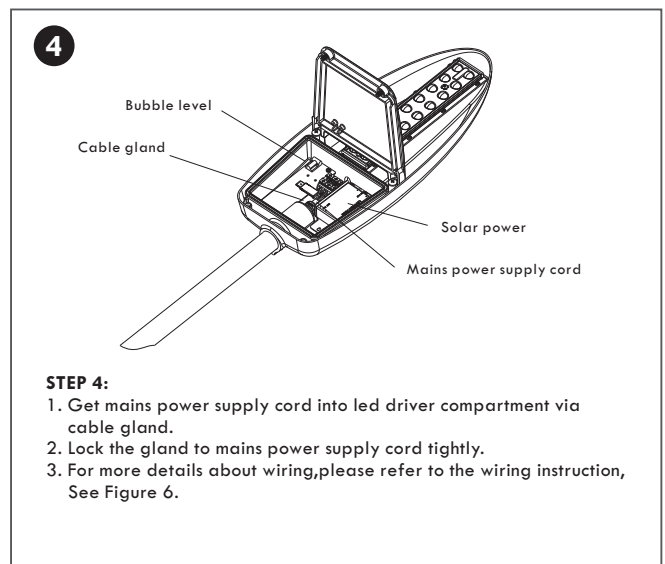
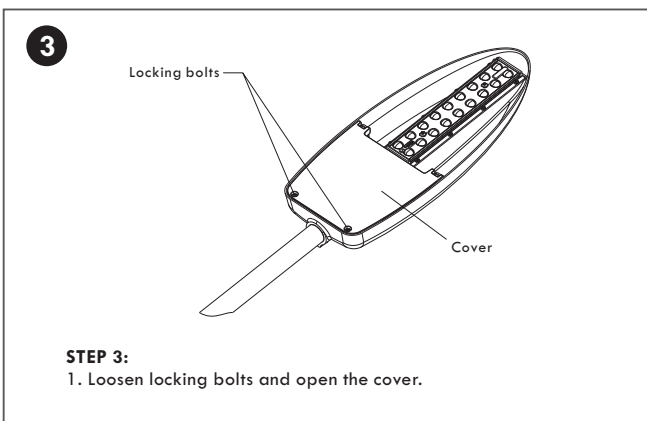
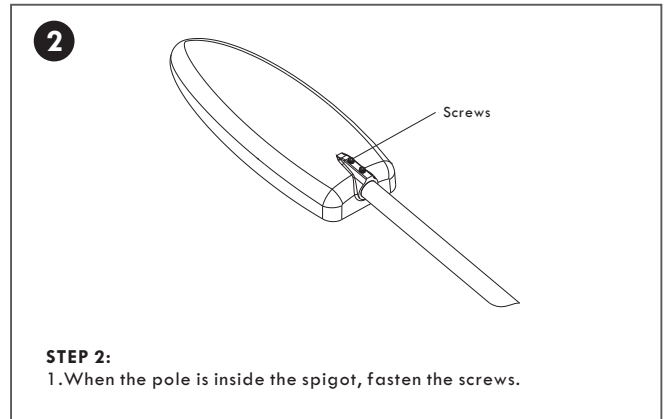
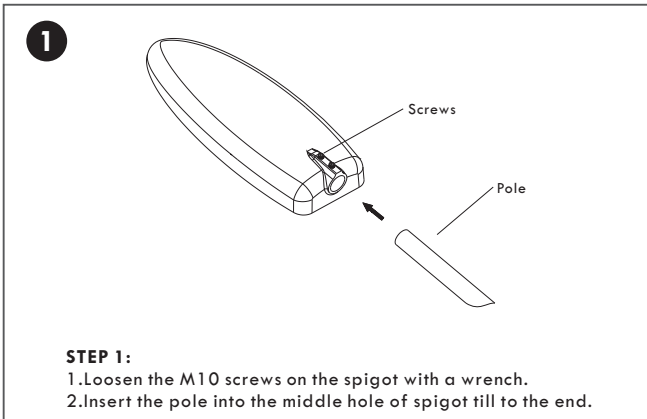
IMPORTANT INSTALLATION INFORMATION

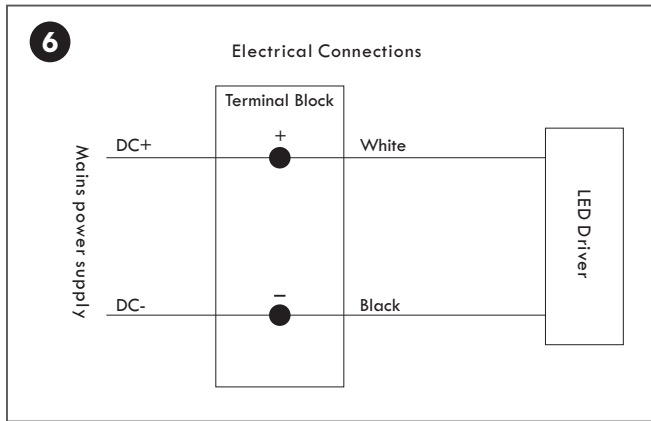
1. Before commencing installation or maintenance, ensure electricity is switched off at the mains. Installation or maintenance should be carried out by a qualified electrician.
2. The luminaire must not, under any circumstances, be installed directly to flammable materials, and luminaires must not be covered with any flammable materials.
3. Mounting height range of 3 meters to 6 meters, this model is suitable for outdoor lighting.
4. Ensure there is adequate free air circulation of at least 50cm around the luminaire. All luminaires run hot. It is the installer's responsibility to consider fire risk and take appropriate precautions.



LEAVE A COPY FOR THE USER / MAINTENANCE ENGINEER FOR FUTURE REFERENCE

Installation Instruction & Installation Steps





WIRING INSTRUCTION

STEP I: Connect the White wire in the mains power supply cord to the "+" marked hole in the terminal block and tighten the connection properly.

STEP II: Connect the Black wire in the mains power supply cord to the "-" marked hole in the terminal block and tighten the connection properly.

Main specifications

Model No.	System Wattage	Dimensions (L x W x H)	Weight	EPA*	Ambient Temperature	Ingress Protection
SL040MAKO12V	40W	502.5mm (19.78") x 200mm (7.87") x 71mm (2.80")	5.88kg (12.9lbs)	0.076m ³	-40°C to +50°C	IP67
Input Voltage: DC12V						

Common causes and solution

Encountered Problem	Possible Cause	Remedy
Module does not light up	Internal wire disconnected	Open fixture and locate loose wires, reconnect connectors or wires and close cover. And retest.
	LED driver failure	Open fixture and check for disconnected wiring. If all wires are fine, replace LED driver with new one and test.
	Module Failure	If all the above remedies are trialed then the light module has most likely failed. Contact us for replacement and warranty information.



This logo indicates that this product must not be disposed of with other waste. Please recycle used lamps to prevent environmental hazard and threats to human health resulting from improper disposal.