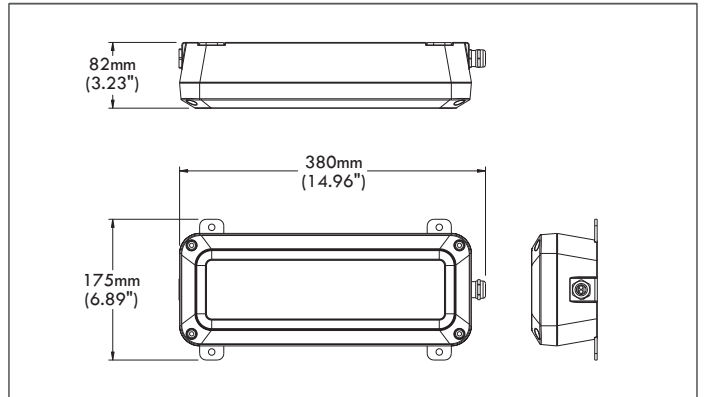


PLEASE READ THESE INSTRUCTIONS CAREFULLY BEFORE INSTALLATION

IMPORTANT INSTALLATION INFORMATION

1. Before commencing installation or maintenance, ensure electricity is switched off at the mains. Installation or maintenance should be carried out by a qualified electrician.
2. The luminaire must not, under any circumstances, be installed directly to flammable materials, and luminaires must not be covered with any flammable materials.
3. Mounting height range of 1 meters to 6 meters, this model is suitable for outdoor and indoor lighting.
4. Ensure there is adequate free air circulation of at least 50cm around the luminaire. All luminaires run hot. It is the installer's responsibility to consider fire risk and take appropriate precautions.



LEAVE A COPY FOR THE USER / MAINTENANCE ENGINEER FOR FUTURE REFERENCE

Installation Instruction & Installation Steps

1

Lamp
Wall
Screws

STEP 1:
Drill 4 holes on the installation platform, refer to Figure 2. Use 4PCS M8 screws to fix the lamp on the installation platform, see Figure 1.

2

Dimensions for Bracket Mounting Hole

4-Ø8.2mm
283mm
155mm

3

Wall
Screws
Cover

STEP 2:
Loosen the 4PCS M6 fixing cover screws and open the lamp compartment.

4

Wall

STEP 3:
Get mains power supply cord into led driver compartment via cable gland, Install power connections as per Figure 7, and lock the gland to mains power supply cord tightly.

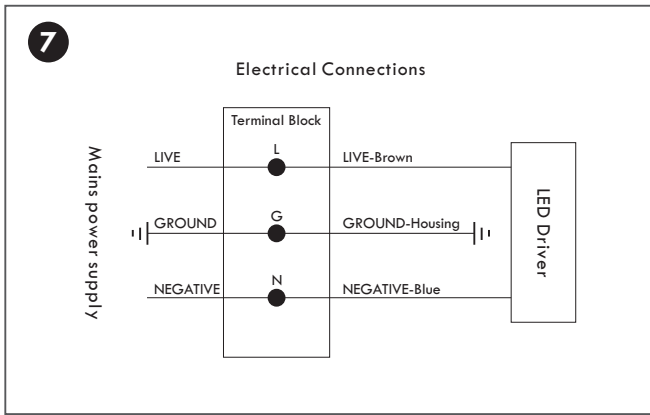
5

Wall
Screws
Cover

STEP 4:
Fix the cover on the lamp body with 4PCS M6 screws at 25n.m torque.

6

STEP 5:
Installation is completed. See Figure 6.



WIRING INSTRUCTION

- STEP I: Connect the LIVE wire in the mains power supply cord to the "L" marked hole in the terminal block and tighten the connection properly.
- STEP II: Connect the NEGATIVE wire in the mains power supply cord to the "N" marked hole in the terminal block and tighten the connection properly.
- STEP III: Connect the GROUNDING wire in the mains power supply cord to the "G" marked hole in the terminal block and tighten the connection properly.

Main specifications

Model No.	System Wattage	Dimensions (L x W x H)	Weight	EPA*	Ambient Temperature	Ingress Protection
SLO40BULK	40W	380mm (14.96") x 175mm (6.89") x 82mm (3.23")	3.6kg (7.9lbs)	0.053m ³	-40°C to +50°C	IP67
Input Voltage: AC120-277V 50/60Hz						

Common causes and solution

Encountered Problem	Possible Cause	Remedy
Module does not light up	Internal wire disconnected	Open fixture and locate loose wires, reconnect connectors or wires and close cover. And retest.
	LED driver failure	Open fixture and check for disconnected wiring. If all wires are fine, replace LED driver with new one and test.
	Module Failure	If all the above remedies are trialed then the light module has most likely failed. Contact us for replacement and warranty information.



This logo indicates that this product must not be disposed of with other waste. Please recycle used lamps to prevent environmental hazard and threats to human health resulting from improper disposal.