



60W PANEL 52Ah BATTERY

160W PANEL 130Ah BATTERY

STAND-ALONE SOLAR ENGINE

PROGRAMMABLE

PLUG & PLAY COMPATIBILITY
WITH TIGERLIGHT LUMINAIRES

tigerlight®

HIGH-PERFORMANCE
INDUSTRIAL LIGHTING



SOLO

S O L A R E N G I N E

Off-grid solar-powered engine for use with Tigerlight luminaires

Large battery capacity to maximise autonomy

Programmable power output to maximise output and autonomy for specific locations and applications.



INTELLIGENT
LI-ION BATTERY
SYSTEM



PROGRAMMABLE
OUTPUTS &
DIMMING



BI-FACIAL
SOLAR PANELS



IK08
RATING



EXTREME TEMP
RANGE -20 to +65°C



BATTERY LIFESPAN
OVER 10 YEARS

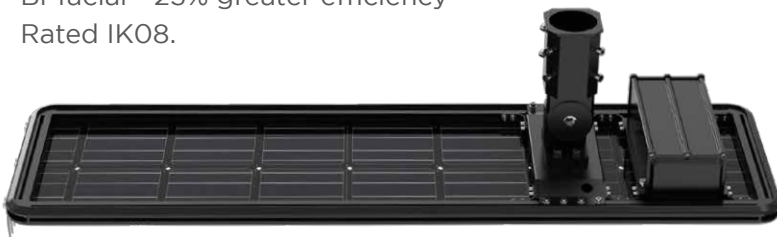


3 YEAR
WARRANTY

SIMPLE OFF-GRID SOLAR SOLUTION

SOLAR PANEL

60W or 160W
Bi-facial - 23% greater efficiency
Rated IK08.



BATTERY

52Ah or 130Ah
Lithium Ion 18650 - More than 2000 cycles
Voltage 22.2V
Replaceable battery.

CONTROLLER

MPPT type
BMS included
Working mode options to preserve battery
Selected options pre-set prior to delivery
Photovoltaic sensor for auto dusk to dawn operation
Battery low capacity protection -
DoD min 20% safety margin
Replaceable controller.



PHYSICAL PROPERTIES

Aluminium frame & stainless steel fixings
Adjustable spigot mount - 92mm diam
Extreme operating temps -20 to +65°C
Wind load - 209 km/hr.

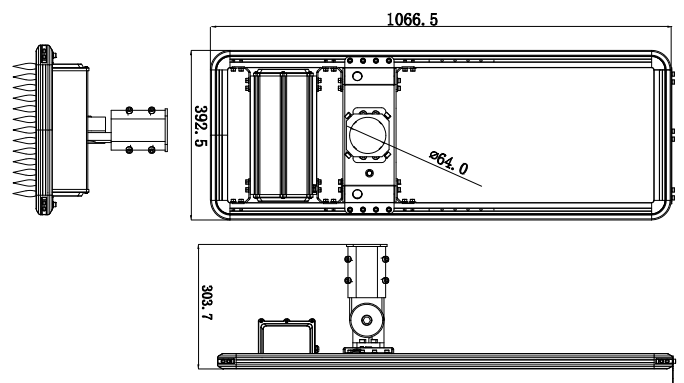
SOLO 60/52

60W PANEL | **52Ah BATTERY**

Solar panel: 60W
 Battery rating: 52Ah / 624Wh
 Charge duration: 8 hours
 Discharge duration: Up to 52 hours
 IP rating battery/controller compartment : IP65
 IK rating: IK08
 Weight inc bracket: 20kg
 Spigot diameter: 64mm
 Dimensions mm: 1066L x 392W x 223H inc bracket



Poles not included



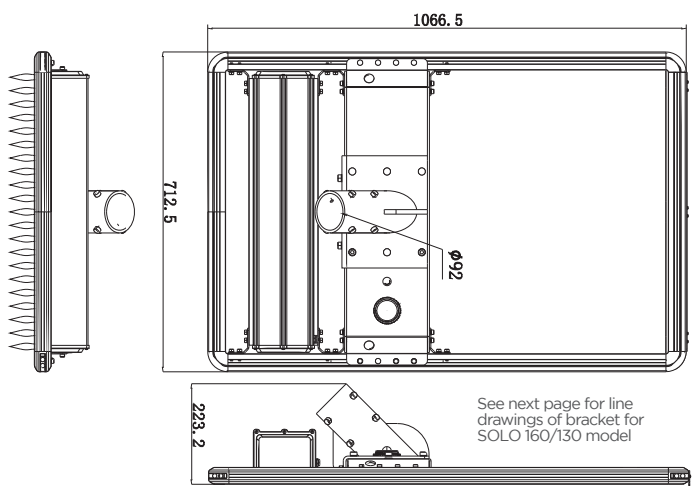
SOLO 160/130

160W PANEL | **130 Ah BATTERY**

Solar panel: 160W
 Battery rating: 130Ah / 1560Wh
 Charge duration: 10 hours
 Discharge duration: Up to 72 hours
 IP ratings, compartment
 - battery: IP66
 - controller: IP68
 IK Rating: IK08
 Weight inc bracket: 34kg
 Spigot diameter: 92mm
 Dimensions mm: 1066L x 712W x 223H inc bracket



Poles not included



APPLICATIONS

Off-grid lighting solution for:

- Carparks, private roadways, walkways, exits and entrances
- Security lighting around perimeters
- Industrial walkways and gantries
- Muster points
- Remote pumping stations
- Mining camps.

COMPATIBLE TIGERLIGHT FITTINGS - PLUG & PLAY INSTALLATION

SOLO solar engines power each of these fittings on a simple plug & play basis with connector cabling supplied.

Lamp power is pre-set between 10W and 60W, during the programming process prior to delivery.

Options available include lensing, CCT, exterior colours.



MAKO

P/N: SLMAKOSOLO



MEGA FLOOD

FLSOLO



STREET LIGHT

SLSOLO



MAKO BULKHEAD

SLBULKSOLO



SENTRY WALLPACK

FLWPSOLO

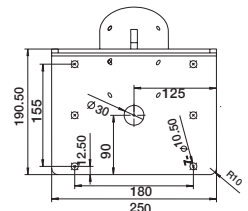
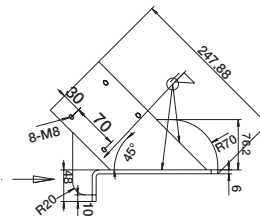
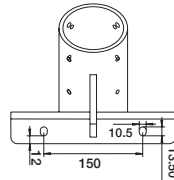
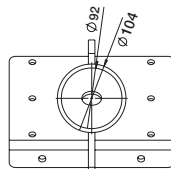
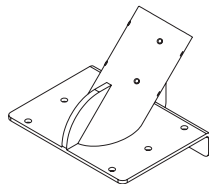
Lamp power is determined in response to two factors:

- 1 The light levels required for the particular lighting task as determined by the lighting plan.
- 2 The sunlight available in the particular location will have a critical effect on battery autonomy and the ability of the fitting to meet the required operating hours.

FACTORY PROGRAMMABLE OUTPUTS

- 100% output dusk to dawn
- Programmable staged dimming options
- 100% for set period after sunset, then dim to a set dim mode
- Tailored programming to suit site specific needs.

BRACKET - 160/130 model



TECHNICAL PARAMETERS

SOLO ENGINE	SOLO 60/52 60W SOLAR PANEL / 52Ah BATTERY	SOLO 160/130 160W SOLAR PANEL / 130 Ah BATTERY
PANEL	60W Bi-facial	160W Bi-facial
IK rating	IK08	IK08
BATTERY	52Ah / 624Wh Li-ion 18650 >2000 cycles	130Ah / 1560Wh Li-ion 18650 >2000 cycles
Charge duration	8 hours	10 hours
Discharge duration	Up to 52 hours	Up to 72 hours
Voltage	22.2V	22.2V
Output cable length (supplied)	5m	5m
CONTROLLER	MPPT with BMS. DoD min 20% safety margin for battery	MPPT with BMS. DoD min 20% safety margin for battery
Operating temp / Wind load	-20 to +65°C / 209km/h	-20 to +65°C / 209km/h
Service life / warranty	-10 years battery life (replaceable) / 3 years warranty	-10 years battery life (replaceable) / 3 years warranty
Construction	Powder coated aluminium housing, stainless fixings	Powder coated aluminium housing, stainless fixings
IP rating: battery compartment /controller	IP65	IP66 / IP68
Dimensions inc bracket / Weight	1066L x 392W x 223H / 20kg	1066L x 712W x 223H / 34kg
Spigot entry	64mm	92mm
PRODUCT CODES	SRSOLO60	SRSOLO160 NB Poles not included

tigerlight®

T 1300 184 437
F 02 9913 8876
E info@tigerlight.com.au

National Support & Distribution Centre
Unit 8, 1 Vuko Place,
Warriewood, NSW 2102

Western Australia Office & Warehouse
Unit 3, 1 Distinction Road,
Wangara, WA 6065

