

LED WALLPACK LIGHT

MAKO Bulkhead Light

30W

4,120 lm

40W

5,500 lm

50W

6,820 lm



Wall or ceiling-mounted
IP67 for indoor or outdoor use
Easy to install. Linkable
Maintained emergency option.



-140 LUMENS
PER WATT



T5W LENSES
APPROX 120°



IP67
RATING



IK08
RATING



5000K
CCT



EMERGENCY
OPTIONS



5 YEAR
WARRANTY

HEAVY-DUTY CONSTRUCTION

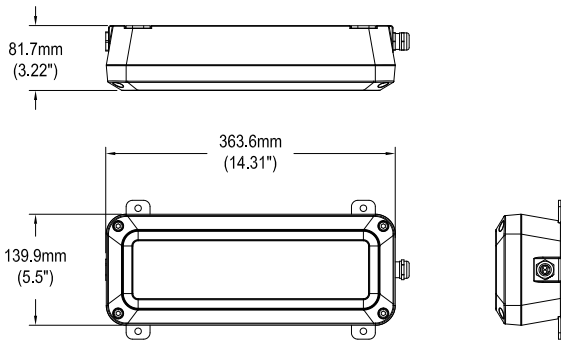
Vibration-resistant solid state build
140 lumens/W output
Super-reliable Philips Xitanium driver
Driver switchable from 30W, 40W (std) and 50W
T5W lenses (approx 120°) for optimum light spread
Modular construction, rated IP67 and IK08
Toughened glass fascia
Corrosion-resistant polymer coating
Quick and easy to install
50,000+ hours service life and 5 years warranty.

APPLICATIONS

- Industrial area lighting for walls & ceilings, from 2.4 to 6m high
- Bulkhead lights for indoor or outdoor use
- For use around industrial plants, mining, out-buildings, storage areas, walkways and gantries.



DIMENSIONS



DESIGNED FOR EASE OF LINKAGE AND SIMPLE INSTALLATION

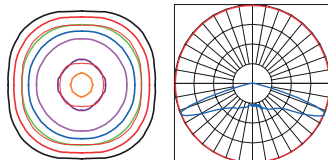
Installation is quick and simple
Driver compartment opens with allen key
Connect cable to terminal box with quick connectors
Choice of bracket to suit mounting position



Easily linkable
Second cable gland inside fitting for linkage.

PHOTOMETRICS

Type T5W lenses - square wide.
(Approx equiv to 120°)
NB Other lens options available on special order



SWITCHABLE DRIVER FOR 30W, 40W & 50W OUTPUT

Simple switch on driver changes output from 40W (standard) down to 30W or up to 50W to suit site requirements.
[NB 50W option not available for Emergency lights]



MAINTAINED EMERGENCY OPTION

Built-in battery module provides valuable emergency capability to some or all MAKO fittings on site.

5W emergency output
3 hour emergency run-time.



NB 50W option unavailable for Emergency light.

MOUNTING BRACKETS



Standard bracket



U-bracket (available separately)

TECHNICAL PARAMETERS

Power consumption	30W	40W std	50W
Input voltage & frequency	120-277VAC; 50-60Hz		
LED chip drive current	30W - 530mA	40W - 700mA	50W - 875mA
[NB 50W output not available for Emergency light option]			
Power factor	>0.95		
LED chips	High performance, -140 lm/W		
Driver	Philips Xitanium		
Luminous flux	30W-4120 lm	40W-5500 lm	50W-6820 lm
Efficacy	-140lm/W		
Colour temperature	5000K		
CRI	RA >70		
Light distribution	IES Type T5W square wide -120 degrees		
IP Rating	IP67 (mains cable H07RN-F 3*1.5mm)		

Working temperature	-40 to 50 °C	
Service life	>50,000 hours	
Warranty	5 years	
Composition - lenses/fascia	Polycarbonate / toughened glass	
Housing/heatsink	Cast Aluminium	
Protective coating	Polyester (100 microns minimum)	
Exterior colour	Grey - RAL 7004. Orange fascia on Emergency	
Weight	3.1kg	
Dimensions	360mm (l) x 136mm (w) x 83mm (d)	
Product codes	30W, 40W (std), 50W	SL040BULK
	Emergency option	SL040BULK-EM
	U-Bracket option	SLBULK-BKT