

LED Highbay Light

# Primo Hi-Temp Highbay

145W 20,300 lm



Specified for high temperature environments to 70°C  
 Energy-efficient - 140 lumens per watt performance  
 Optional wall-mount bracket with remote driver  
 Superior longevity and reliability

primo<sup>+</sup>  
 FIRST FOR HIGH PERFORMANCE  
 LED Highbays



-140 LUMENS  
PER WATT



TEMPERATURE  
TO 70°C



IP66  
RATING



60° OR 120°  
BEAM



RA 75 CRI  
5000K



50,000+  
HOURS



5 YEAR  
WARRANTY

## HIGH-TEMPERATURE SPECIFICATION

High performance and longevity in hot environments  
 High spec drivers and ceramic encased LED chips  
 Central airflow tunnel design  
 Optional wall mount & remote driver to avoid heat source  
 Superb Korean design and quality control  
 60° or 120° options to suit installation  
 Bright white 5,000K light  
 Rated IP66, and for operating temps of -30° to +70°C  
 50,000+ hours service life and 5 years warranty.

## APPLICATIONS

A viable option for industries where heat has been a barrier to LED usage in the past.

- Very hot and/or humid operating environments
- Steel, aluminium and copper production, hot metal processing areas, drying kilns, paper manufacturing, hot wash areas, mining.

DESIGNED AND BUILT IN KOREA  
 FOR EXTRA HEAVY DUTY



Primo Hi-Temp highbays have been specifically designed to maintain the highest standards of performance and longevity in hot operating environments.

**High-performance driver specified for higher operating temperatures**

Better performance and longer lifespan at higher temperatures. Rated for operation to 70°C at lower loading (60%).

**Driver in vertical position**

Allows greater airflow around driver to reduce temperature.

**NOTE RE REMOTE DRIVERS**

Remote drivers are specified with wall-mounted brackets.

Driver can be located up to 20m from fitting.

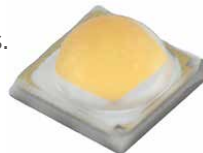
**Central air tunnel**

Creates a natural air current to draw hot air through the fitting and away from the LED board.



**Ceramic casing in LED chip package**

Faster heat transfer delivers greater dielectric performance and longevity at higher temperatures. LM80 testing shows very strong performance and exceptional colour stability at 105°C.



**Tempered glass fascia**

No plastic components are used anywhere in the fitting.

**TWO MOUNTING OPTIONS TO SUIT THE SITE**

**Ceiling-mounted**

Suspended by chain from eye-bolt. Driver in vertical position for superior heat management.



**Wall-mount bracket with remote driver**

Enables fitting and driver to be moved away from directly above heat source.



**TWO BEAM ANGLE OPTIONS**

**120 degree wide beam**

Wider beam spread, generally for lower ceilings and for lighting plans requiring overlapping beams.

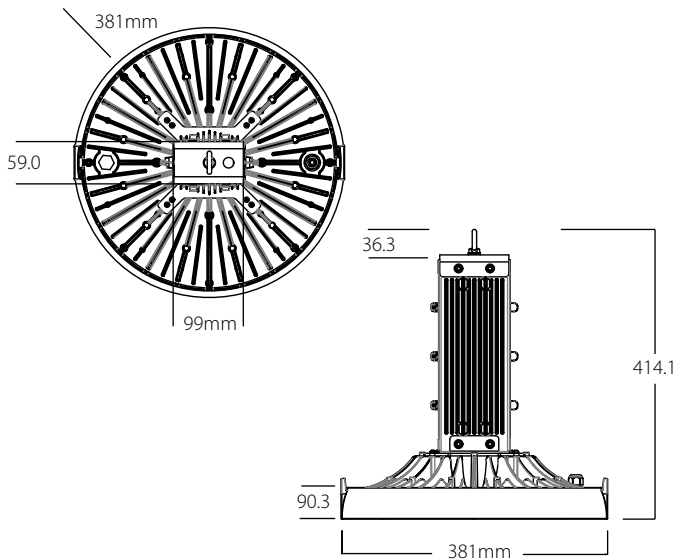


**60 degree narrow beam**

For higher ceilings and where more concentrated light levels are required. A polished aluminium reflector plate inserted into the fitting narrows the light spread.



**PHYSICAL DIMENSIONS**



**ILLUMINANCE (60 deg)**

(Lux in centre, Beam Diameter, Height)

|          |      |    |
|----------|------|----|
| 4877 lux | 1.8m | 2m |
| 1219     | 3.6  | 4  |
| 542      | 5.5  | 6  |
| 305      | 7.4  | 8  |
| 195      | 9.2  | 10 |
| 135      | 11.0 | 12 |
| 100      | 12.9 | 14 |
| 76       | 14.7 | 16 |
| 60       | 16.5 | 18 |

**ILLUMINANCE (120 deg)**

(Lux in centre, Beam Diameter, Height)

|          |      |    |
|----------|------|----|
| 1653 lux | 7.4m | 2m |
| 413      | 14.8 | 4  |
| 184      | 22.1 | 6  |
| 103      | 29.5 | 8  |
| 66       | 36.8 | 10 |
| 46       | 44.2 | 12 |
| 34       | 51.6 | 14 |
| 26       | 58.9 | 16 |
| 20       | 66.3 | 18 |

**TECHNICAL PARAMETERS**

|                           |                                   |
|---------------------------|-----------------------------------|
| Power consumption         | 145W                              |
| Input voltage & frequency | 100-277VAC; 50/60Hz               |
| Power factor              | >0.9                              |
| LED chips                 | Samsung/ceramic casing, -140 lm/W |
| Driver                    | Meanwell HLG Series               |
| Luminous Flux             | 20,300 lumens                     |
| Efficacy                  | -140lm/W                          |
| Colour temperature        | 5000°K                            |
| CRI                       | RA -75                            |
| Light distribution        | 60° or 120° options               |

|                              |                                      |
|------------------------------|--------------------------------------|
| IP Rating / IK Rating        | IP66 / IK08                          |
| Composition - lens           | Tempered glass                       |
| Composition - housing        | Cast Aluminium                       |
| Working temperature          | -30 to +70 °C                        |
| Service life                 | >50,000 hours                        |
| Warranty                     | 5 years                              |
| Weight                       | 7.9kg                                |
| Dimensions                   | 318mm D x 414mm H                    |
| Product codes - 120° / Chain | HPHT20K145                           |
| - 120° / Wall                | HPHT20K145W (remote driver standard) |

(Cable not supplied for remote driver - max 20m)