

LED Highbay Light

Primo 40K Highbay

260W 40,000 lm

DIMMABLE 1-10VDC



Super-high output industrial highbay
Impressive 40,000 lm from 260W @150lm/W
Designed for very high ceilings or lux levels
Dimmable with light and motion sensors.

primo⁺
FIRST FOR HIGH PERFORMANCE
LED HIGHBAYS



~150 LUMENS
PER WATT



50,000+
HOURS



IP65
RATING



60° BEAM



RA >80 CRI
5000K



PLUG & PLAY
LIGHT / MOTION
SENSORS



5 YEAR
WARRANTY

HIGHER OUTPUT FOR CEILINGS TO 25M+

Exceptional performance
40,000 lumens from just 260W
High output Samsung LEDs producing 150 lm/W
Meanwell driver rated to 100,000 hours @70°C
Superb Korean design and quality control
60 degree optical lens to suit high mounting positions
Bright white 5,000K light
Rated IP65, IK08 & for operating temps of -30 to +50°C
50,000+ hours service life and 5 years warranty.

APPLICATIONS

- For very high lux levels and/or higher ceilings.
- Commercial & industrial lighting, including heavy industry, manufacturing, hydro plants and mining.
- Hot, cold, damp and dusty environments.

DESIGNED AND BUILT IN KOREA
FOR EXTRA HEAVY DUTY



DIMMING 1-10VDC

Primo IQ occupancy & light sensors are fully integrated into Primo highbays, connected via a simple plug & play cable.

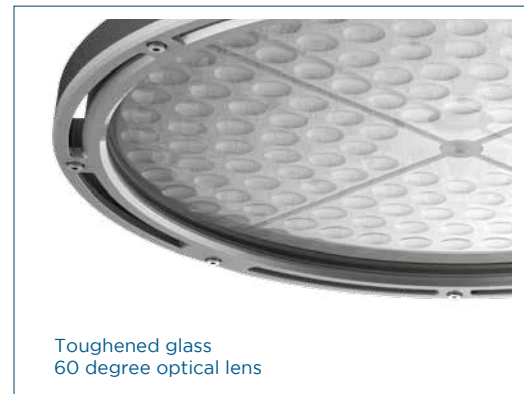
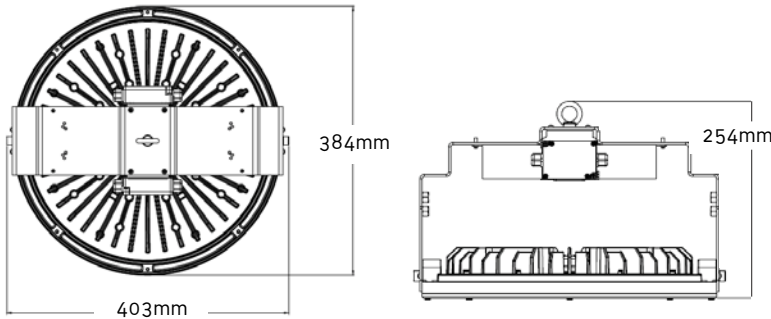
Automatic dimming is pre-programmed area by area, via remote control.

Auto-dimming individual lights with light or occupancy sensors eliminates power wastage when light is not needed, cutting lighting costs by up to 90%.



Primo IQ Daylight Harvesting sensors attach directly to fittings under skylights, and near windows and doors.

PHYSICAL DIMENSIONS



Toughened glass
60 degree optical lens

PRIMO LED LOWBAYS & HIGHBAYS RANGE & SPECIFICATIONS

Model	Lumens	Power	Comparable HID	Ceiling	IP Rating
Primo 12K	12,000 lm	71W	250-400W	5-8+m	IP65
Primo 21K	21,000 lm	127W	400- 700W	8-14+m	IP65
Primo 26K	26,000 lm	153W	700+W	10-16+m	IP65
▶ Primo 40K	40,000 lm	260W	1000+W	12-25+m	IP65

ILLUMINANCE (60 deg)
(Lux, Beam Diameter, Height)

9895 lux	2.2m	2m
2474	4.5	4
1099	6.7	6
618	9.0	8
396	11.2	10
275	13.4	12
202	15.7	14
155	17.9	16

TECHNICAL PARAMETERS

Power consumption	260W
Input voltage & frequency	100-277VAC; 50/60Hz
Power factor	>0.9
LED chips	High performance Samsung, -150 lm/W
Driver / Dimming	Meanwell / Dimmable 1-10VDC
Luminous Flux	40,000 lumens
Efficacy	-150lm/W
Colour temperature	5000°K
CRI	RA >80
Light distribution	60 degree optical lens

IP Rating	IP65
IK Rating	IK08
Composition - lens	Toughened glass
Composition - housing	Cast Aluminium
Working temperature	-30 to +50 °C
Service life	>50,000 hours
Warranty	5 years
Weight	9.6kg
Dimensions	384mm x 403mm x 254mm H
Product codes	HP40K2260OPTIC