

LED AREA LIGHT

# MAKO Area Light - Emergency

## Maintained emergency built-in 40W

40W 5,500 lm



Top performance and reliability  
Built-in Maintained Emergency pack  
3 hour run-time at 5W emergency output



~140 LUMENS  
PER WATT



T2M LENSES  
& OPTIONS



IP66  
RATING



IK10  
RATING



MAINTAINED  
EMERGENCY



GREEN & AMBER  
LED OPTIONS



3 YEAR  
WARRANTY

### BUILT-IN MAINTAINED EMERGENCY FITTING 3 HOURS @ 5W OUTPUT

Heavy duty industrial area light  
Sleek design to prevent build up of dust and dirt  
Wide light spread to suit shorter poles 2.4 to 6m  
Switchable from 30W to 40W. Output 140+ lm/W  
Operating temperatures of -40 to +50°C  
Rated IP67 and IK10  
Polycarbonate lenses. No glass  
34mm spigot entry  
3 years warranty.

### APPLICATIONS

- Emergency capability built into Mako fitting
- Task lighting over plant & equipment, conveyors & gantries, typically with 2.4-3m mounting height
- Low cost area lighting around industrial plants, mining camps, outbuildings, storage yards, muster points, access gates, roads & tracks.



## BUILT-IN MAINTAINED EMERGENCY

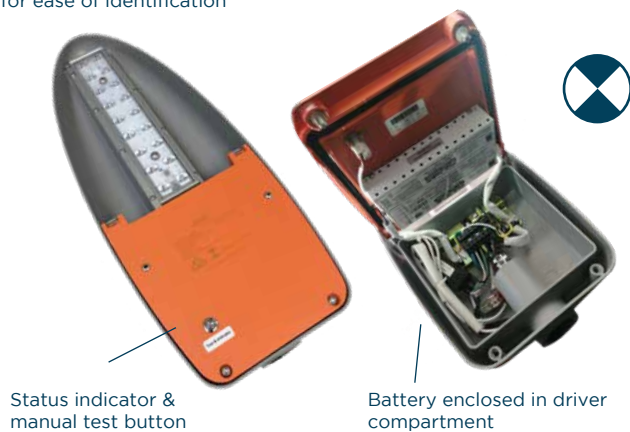
**3 hours 5W emergency runtime**  
**Status indicator light/test button underneath**  
**Emergency Mako is rated IP66**  
**3 yr warranty.**

### SPECIFICATIONS - MAINTAINED EMERGENCY OPTION

Battery located inside driver compartment  
 5W emergency output - 3 hour runtime.

Operating mode	Maintained
Charging method	Intelligent current limited constant voltage
Testing system	Status light & test switch under fitting
Cable connector	4 core cable with 4 position terminal block Constant active, switched active, neutral, earth
Operating temp	0-40°C
IP Rating	IP66

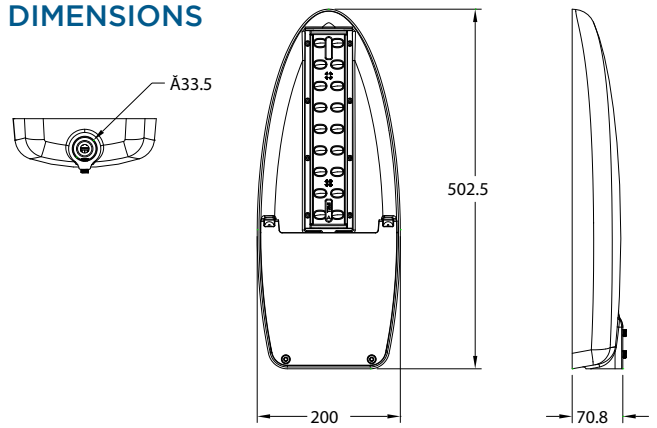
Orange coating on driver compartment lid  
 for ease of identification



Status indicator & manual test button

Battery enclosed in driver compartment

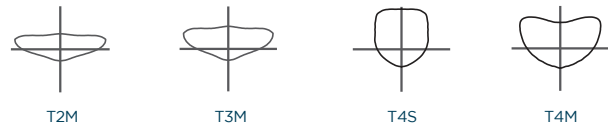
## DIMENSIONS



SIZE: 495mm L x 200mm W x 75mm H  
 WEIGHT: 5.88kg EPA: 0.076m<sup>2</sup>

## OPTICAL LENS OPTIONS

Asymmetric lenses: T2M is the standard lens specification.  
 T3M, T4S and T4M are also available.



## DELIVERY OF MADE-TO-ORDER ITEMS

Please allow up to 6-8 weeks for special order items and where sufficient components may not be available locally.

## TECHNICAL PARAMETERS

Power consumption	40W (5W during emergency operation)	Composition - lenses	Polycarbonate - no glass
Input voltage options	100-277VAC	Composition - housing	Aluminium with polyester coating (>100 microns)
LED chip drive current	700mA	Exterior colour	Grey-RAL7004 or black. Orange panel (Emergency)
Power factor	≥0.9 at full load	Spigot entry diameter	34mm spigot entry
Surge protection	Imax 10kA	Weight	5.88kg
LED chips	High performance -140+ lm/W	Dimensions	495 L x 200 W x 75mm H
Driver / Dimming	Philips Xitanium / Dimmable 1-10VDC	EPA	0.076m <sup>2</sup>
Luminous flux	5400 lm	Working temperature	0 to 40 °C
Colour temperature	5000°K (options for Amber, 4000°K, 6000°K, Green)	Service life	>50,000 hours
CRI	RA >70	Warranty	3 years
Light distribution	IESNA T2M standard. T3M,T4S, T4M options	Product code	SL040MAKO-EM
IP Rating / IK Rating	IP66 / IK10		