

LED LIGHT WITH SOLAR PANEL

# MAKO SOLAR area light package

20W Mako area light with pole-top 130W solar engine

20W 3,000 lm

Australia-wide spec

30W 4,200 lm

Far-northern locations



NB. Poles not included

Self-contained solar package including:

Mako heavy duty area light - 20W

Solar engine comprising 130W solar panel, cables, lithium ion batteries, smart controller

Poles not included.



-140 LUMENS  
PER WATT



T2M LENSES  
STANDARD



IP65/67  
RATING



IK08/10  
RATING



5000K CCT  
OR AMBER



SOLAR  
PACKAGE



3 YEAR  
WARRANTY

## 130W SOLAR ENGINE

**Solar Panel :** 3rd gen high-performance modular Quality 130W monocrystalline solar panel

**Lithium ion batteries:** LiFePO4. 998Wh capacity Battery compartments secured under the panel.

**Smart Controller:** Manages power input & output

**Rock-solid build structure:** Aluminium anti-corrosion frame, with stainless steel fixings.

## MAKO LED LIGHT FITTING - 20W - 3000 LM

Sleek design prevents build up of corrosive materials.

True industrial quality components for heavy duty

Polycarbonate lenses - no glass.

## APPLICATIONS

- Solar lighting around industrial plants, mining camps, outbuildings, storage & loading yards, muster points, fuel points
- Access gates, carparks, security perimeters, internal roads & tracks, walkways and crossings
- Any external location where solar is preferred or where 240V lighting is cost-prohibitive or impractical.

**Solar Engine 130W**

130W monocrystalline solar panel



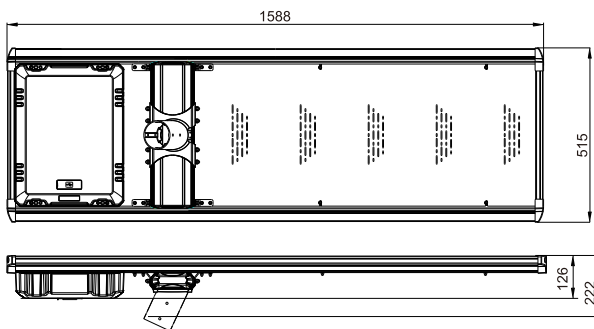
Compartments for lithium iron phosphate batteries

Tenon bracket with preset angle for pole-top mounting. Pole OD 75-90mm



Smart controller unit to optimise battery charging and discharge

Sturdy aluminium frame. IP65 casing accessible for maintenance



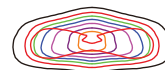
**Mako Area Light 20W**

Sleek design to prevent build-up of dirt and debris

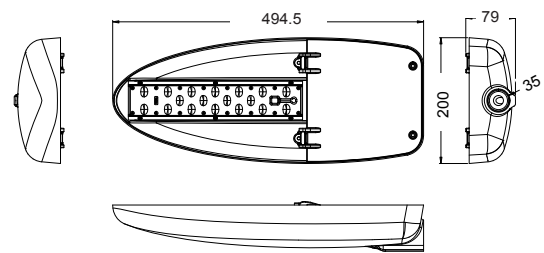


20W module with polycarbonate lens plate. No glass.

34mm spigot entry



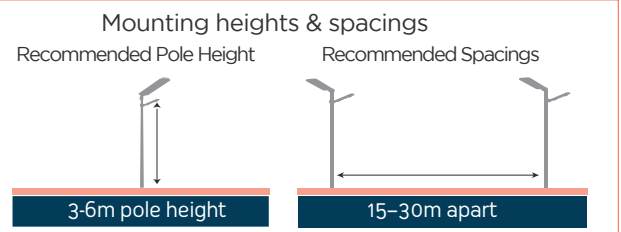
Standard optical lenses are asymmetric T2M. T4M and other lenses are also available.



**MOUNTING & POLE SPECIFICATIONS**

Face solar panel towards North.  
Orientate the Mako area light to the required direction.  
Plug and play cable connector supplied.

Spigot sizes: Pole sizes: **NB Poles not included**  
Solar panel - 90mm Solar panel - 75-90mm OD  
Mako fitting - 34mm. Mako fitting - 32-34mm OD.



**TECHNICAL PARAMETERS**

SOLAR MODULE	130W Monocrystalline
Lithium Battery Capacity	998Wh (Higher capacity for southern states)
Output voltage	12.8V DC
Structural Composition	Aluminium frame and stainless fixings
Net weight of panel	27kg
Dimensions	1588mm L x 515mm W x 126mm D
Controller type	Smart controller to optimise charging
Charge temperature	0 - +60°C
Discharge temperature	-20°C to +60°C
EPA	0.41 sqm
Wind load rating	209 km/h
Exterior colour	Grey
Top of pole tenon OD	75-90mm

MAKO AREA LIGHT FITTING	20W (30W option for some northern areas only)
Input voltage / DC power supply	12VDC / Meanwell
Output / efficacy / LED chips	3000 lm / 140+ lm/W / Nichia
Colour temp / CRI	5000K / RA>70 or Amber also available
Optical lenses available	IES Type T2M2 standard, T4M also available.
IP rating	IP67
Lenses / Housing	Polycarbonate / Cast aluminium
Spigot entry	34mm
Operating temp / EPA	-40 to +50°C / 0.076m2
Service life / warranty	>50,000 hours / 3 years
Exterior colour	Grey - RAL 7004
Weight / Dimensions	5.88kg / 495mm (l) x 200mm (w) x 75mm (d)
Product codes Solar engine	SNCORSO130 <b>NB Poles not included</b>
Solar Mako	SL020MAKO-12V (5000K) SL020MAKO-AM-12V (Amber)