

LED

A BRIGHTER IDEA

ECONOMICAL

LED lighting requires less than HALF the power of conventional lights. You could SAVE thousands!

SUPERIOR

LEDs provide BRIGHTER light with excellent colour rendering (CRI). Improve your corporate image.

ENVIRONMENT FRIENDLY

Using less power helps to reduce carbon emissions contributing to saving the environment as well as saving you money.

A BETTER WORKPLACE

The quality of light can have a dramatic effect on a workplace atmosphere. Your staff will show their appreciation with their increased productivity.

LESS MAINTENANCE

Our LED lights maintain their quality of light for up to FIVE times longer than conventional lights. Conventional lights can lose up to 70% of their brightness in 1 year.

NO WARM UP

Our lights are instantly at full intensity as soon as you turn them on. No more waiting for lights to warm up!

13001TIGER

1300 184 437

www.tigerlight.com.au



tigerlight

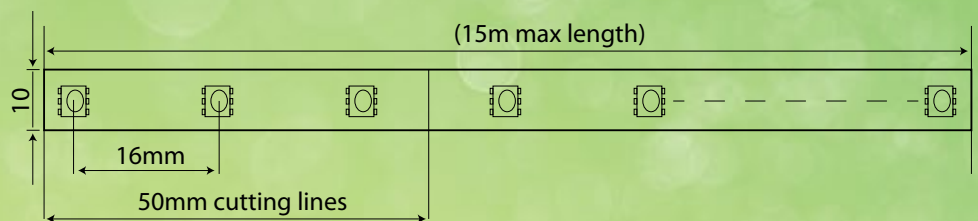
TIGER LED FLEXSTRIP INDOOR/OUTDOOR LIGHTING SERIES



- ▶ Soft and flexible
- ▶ Quality 3528 Top SMD LED's – Beam angle → 130 degrees
- ▶ Simple circuitry – 3 LED's in each loop
- ▶ Low voltage – DC 12v
- ▶ Secure and reliable
- ▶ Easy to install and maintain – can be cut and linked as per clients' requirements
- ▶ IP67
- ▶ Energy Efficient

MODEL NO.	Max Length	Voltage (v)	Power (w)	IP Rating	Colour	LED Qty	Lux under 0.5m
FLEX DL WP	15m	DC12	4.8	67	Daylight	60	184
FLEX WW WP	15m	DC12	4.8	67	Warm white	60	120
FLEX B WP	15m	DC12	4.8	67	Blue	60	38
FLEX R WP	15m	DC12	4.8	67	Red	60	80
FLEX G WP	15m	DC12	4.8	67	Green	60	140
FLEX Y WP	15m	DC12	4.8	67	Yellow	60	90

- ▶ Can meet the needs of indoor or outdoor illumination and decoration
- ▶ Widely used in showcases, backlight products, indoor decoration, holiday and festival decoration



TIGER LIGHT NSW/VIC

(Head Office)

Unit 3, 3 Vuko Place
Warriewood NSW 2102
Ph: +61 2 9913-8800
Fax: + 61 2 9913-8876

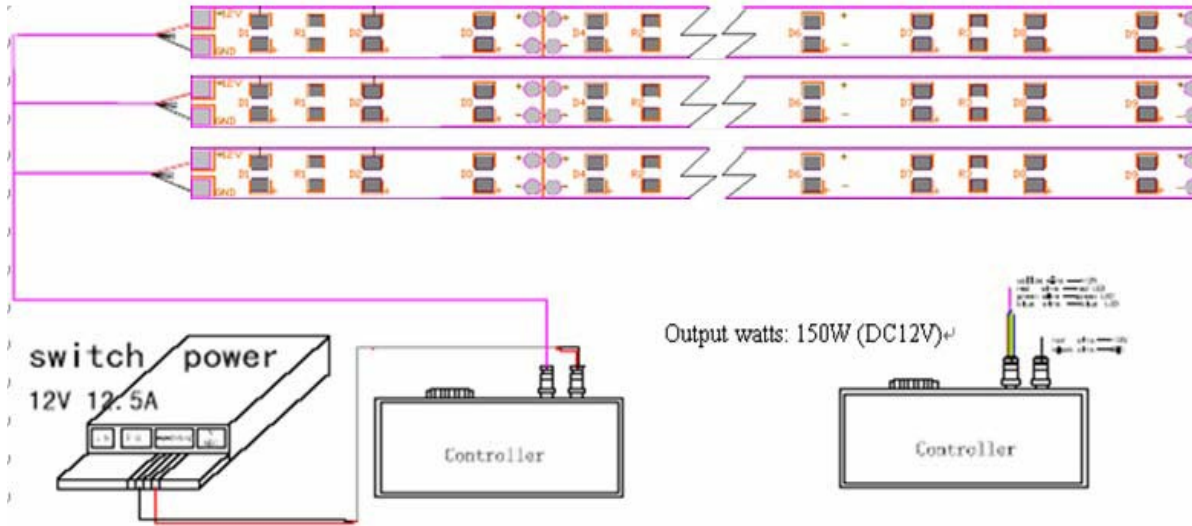
TIGER LIGHT WA

7/14 King Edward Road
Osborne Park WA 6017
Ph: +61 8 6365-5615
Fax: +61 8 9204-1016

TIGER LIGHT QLD

Lot 12/65 Christensen Road
Stapylton QLD 4207
Ph: + 61 7 3807-7077
Fax: + 61 7 3807-7977

SYSTEM CONNECTION DIAGRAM



INSTALLATION NOTES:

1. Controller's two cores connector is connected to the power supply. The red wire is connected to the anode, and the black wire is connected to the cathode; two cores connector of the signal output port is connected to the strip's receiving port.

2. When connecting the controller's output wires to the strip's receiving wires, they should be connected with each other according to the relevant colours. As per diagram.



Waterproof Connector
1 x Female & Male for 5m strips

ACCESSORY REFERENCE



Installation Fixtures
10 pcs per 5m strip or
3m adhesive tape and screws
available

CONTROLLERS	VOLTAGE	POWER	CURRENT OUTPUT	POWER OUTPUT	DMX FUNCTION
Remote Contoller	DC 12v	<1w	2.5A / channel*3	1-100w (12v)	N/A
Simple-Function Contoller	DC 12v	<1w	4A / channel*3	1-150w (12v)	N/A
Multi-Function Controller	DC 12v	<1w	8A / channel*3	1-300w (12v)	A

ITEM	OUTPUT VOLTAGE	POWER	COMMENTS
Switch Power Supply	DC12v	18w	Other power capacities available
	DC12v	16w	

13001TIGER
1300 184 437
www.tigerlight.com.au

TIGER LIGHT NSW/VIC
(Head Office)
Unit 3, 3 Vuko Place
Warriewood NSW 2102
Ph: +61 2 9913-8800
Fax: + 61 2 9913-8876

TIGER LIGHT WA
7/14 King Edward Road
Osborne Park WA 6017
Ph: +61 8 6365-5615
Fax: +61 8 9204-1016

TIGER LIGHT QLD
Lot 12/65 Christensen Road
Stapylton QLD 4207
Ph: + 61 7 3807-7077
Fax: + 61 7 3807-7977